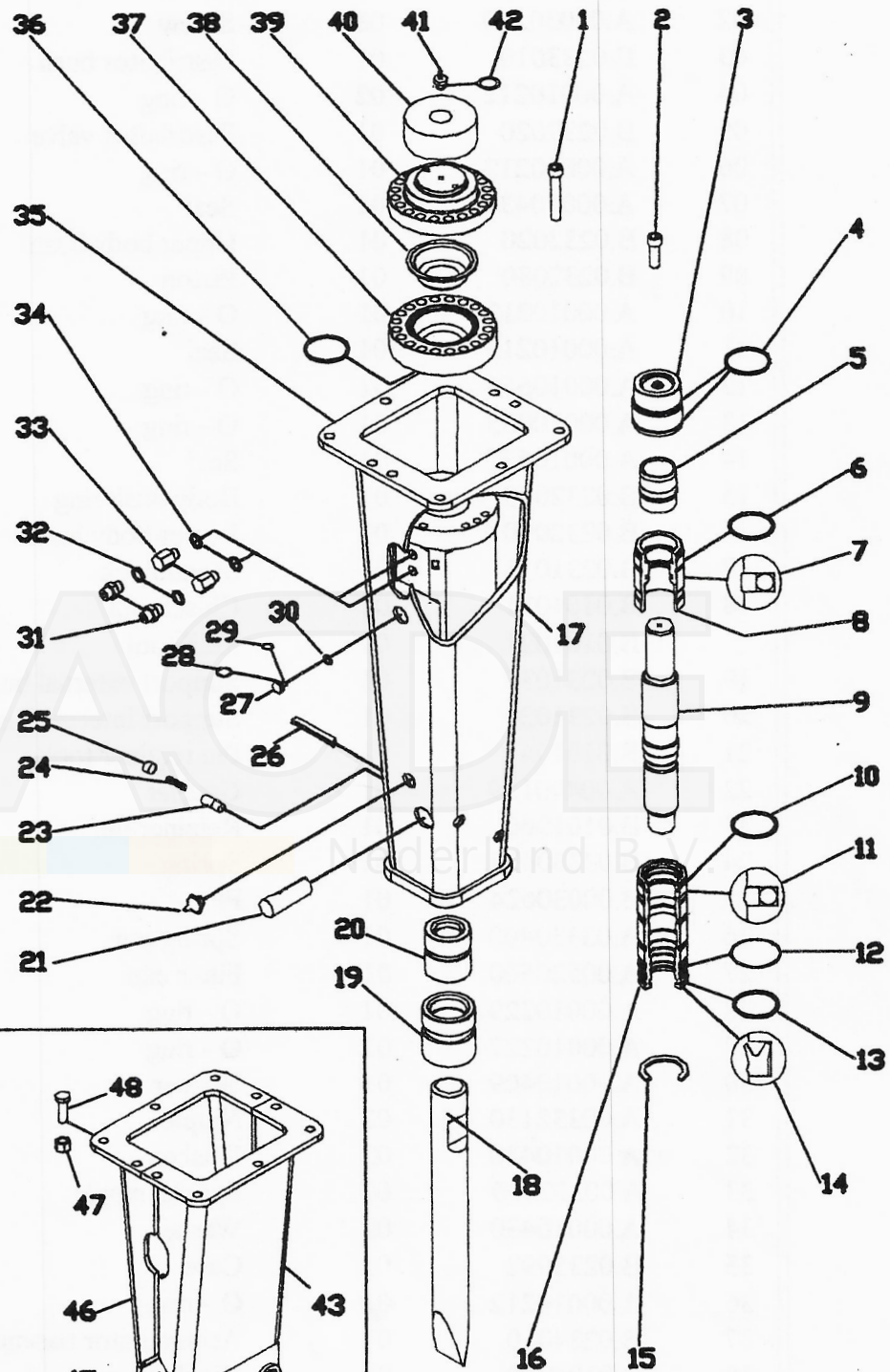
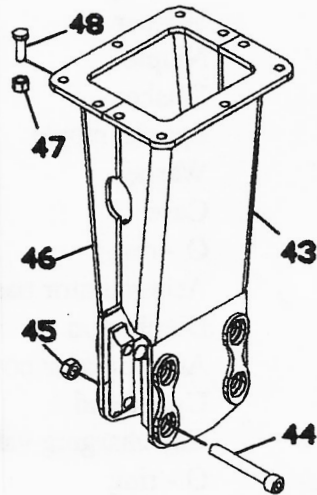


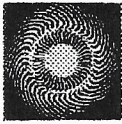


DMS 220



DM 220



**SPARE PARTS DMS 220**

Ref.	Code	Q.ty	Description
01	A.00030623	12	Screw
02	A.00030580	08	Screw
03	B.0233010	01	Distributor bush
04	A.00010212	02	O - ring
05	B.0233020	01	Distributor valve
06	A.00010212	01	O - ring
07	A.00010437	01	Seal
08	B.0232020	01	Upper body bush
09	B.0232030	01	Piston
10	A.00010212	01	O - ring
11	A.00010213	01	Seal
12	A.00010659	01	O - ring
13	A.00010033	01	O - ring
14	A.00010637	01	Seal
15	B.0232040	01	Body bush ring
16	B.0232010	01	Lower body bush
17	B.0231013	01	Monoblock
18	B.0101031	01	Chisel tool
	B.0101021	01	Moil tool
19	B.0231030	01	Support external bush
20	B.0231020	01	Support internal bush
21	B.0101041	01	Pin retainer tool
22	A.00440159	01	Greaser
23	B.0101060	01	Retainer pin
24	B.03330428	01	Spring
25	B.00030624	01	Plug
26	A.03330400	01	Spring pin
27	A.00520500	01	Filter cap
28	A.00010229	01	O - ring
29	A.00010227	01	O - ring
30	A.00010409	01	Washer
31	A.00332130	02	Nipple
32	A.00010430	02	Washer
33	A.00332200	02	Special nipple
34	A.00010430	02	Washer
35	B.0235992	01	Case
36	A.00010212	01	O - ring
37	B.0234010	01	Accumulator basement
38	B.0104010	01	Diaphragm
39	B.0234020	01	Accumulator cover
40	B.0234030	01	Upper pad
41	A.00053464	01	Gas charging valve
42	A.00010366	01	O - ring