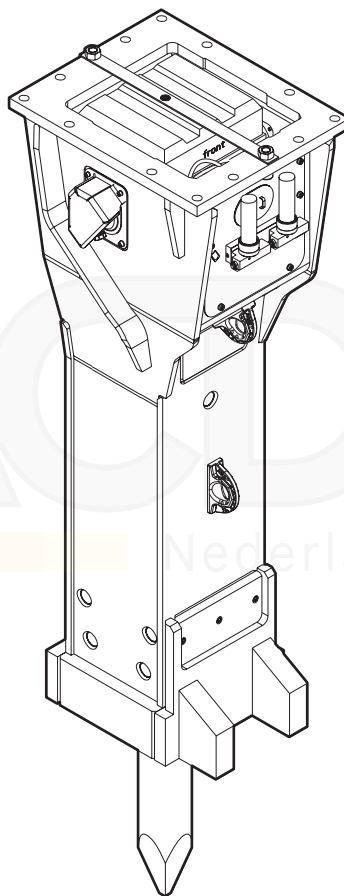


HB 7000, 7000 DP

Spare parts list Hydraulic breakers

HB 7000 s/n DEQ160390 -

HB 7000 DP s/n DEQ160390 -



ACOIDE
Nederland B.V.

General information

This spare parts list applies to the following:

Part number	Description
3363090481	Hydraulic breaker HB 7000 with lower wear bush (steel)
3363116871	Hydraulic breaker HB 7000 with lower wear bush (bronze)
3363090483	Hydraulic breaker HB 7000 DustProtector with lower wear bush (steel)
3363116872	Hydraulic breaker HB 7000 DustProtector with lower wear bush (bronze)

Use only authorized parts. Any damage or malfunction caused by the use of unauthorized parts is not covered by Warranty or Product Liability. Any unauthorized use or copying of the contents or any part thereof is prohibited. This applies in particular to trademarks, model denominations, part numbers, and drawings.

Instructions for use

This spare parts list contains no safety regulations and is merely intended to assist in the ordering of spare parts.

For information about operating, servicing, or repairing, the relevant Safety and operating instructions must be consulted at all costs.

Please observe the safety instructions listed in the relevant Safety and operating instructions!

Instructions for ordering

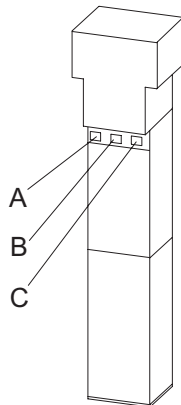
It is essential to indicate the serial number of the hydraulic attachment when ordering spare parts!

Please note the full identification number of your hydraulic attachment.

The code can be found on the cylinder.

Determine the quantity of individual parts which are required and need to be ordered. The order must indicate the following details:

- full identification code of the hydraulic attachment
- required quantity
- part number
- description



A. Cylinder number

B. Type

C. Serial number

Contents

Service, repair and wear part kits

Label kit HB 7000	1
Label kit HB 7000 DustProtector	3
Kit list	5

Mechanical

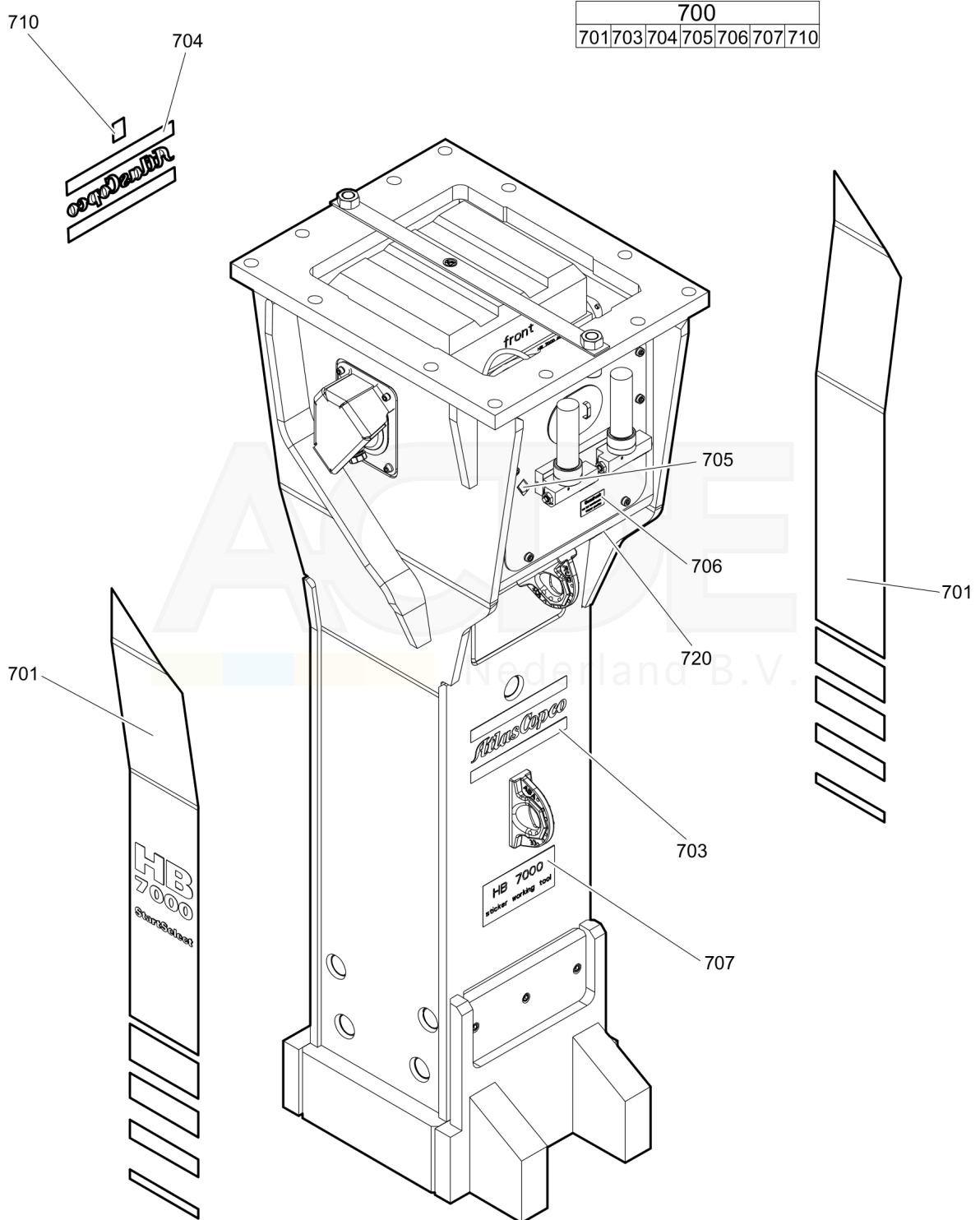
Hydraulic breaker HB 7000	10
Hydraulic breaker HB 7000 DustProtector	13
Percussion unit part 1: cylinder cover	16
Percussion unit part 2: cylinder	20
Percussion unit part 3: lower breaker part (steel)	23
Percussion unit part 3: lower breaker part (bronze)	25
Connecting kit for automatic lubrication system	27
StartSelect - AutoStart or AutoStop	29
Optional parts	31
Tightening torques	33
Dimensions HB 7000	36
Dimensions HB 7000 DP	38

Options / accessories

Hydraulic hoses	40
Optional equipment	43
Working tools ClassicLine HB 7000	45
Working tools SilverLine HB 7000	48
Working tools ClassicLine HB 7000 DP	51
Working tools SilverLine HB 7000 DP	53



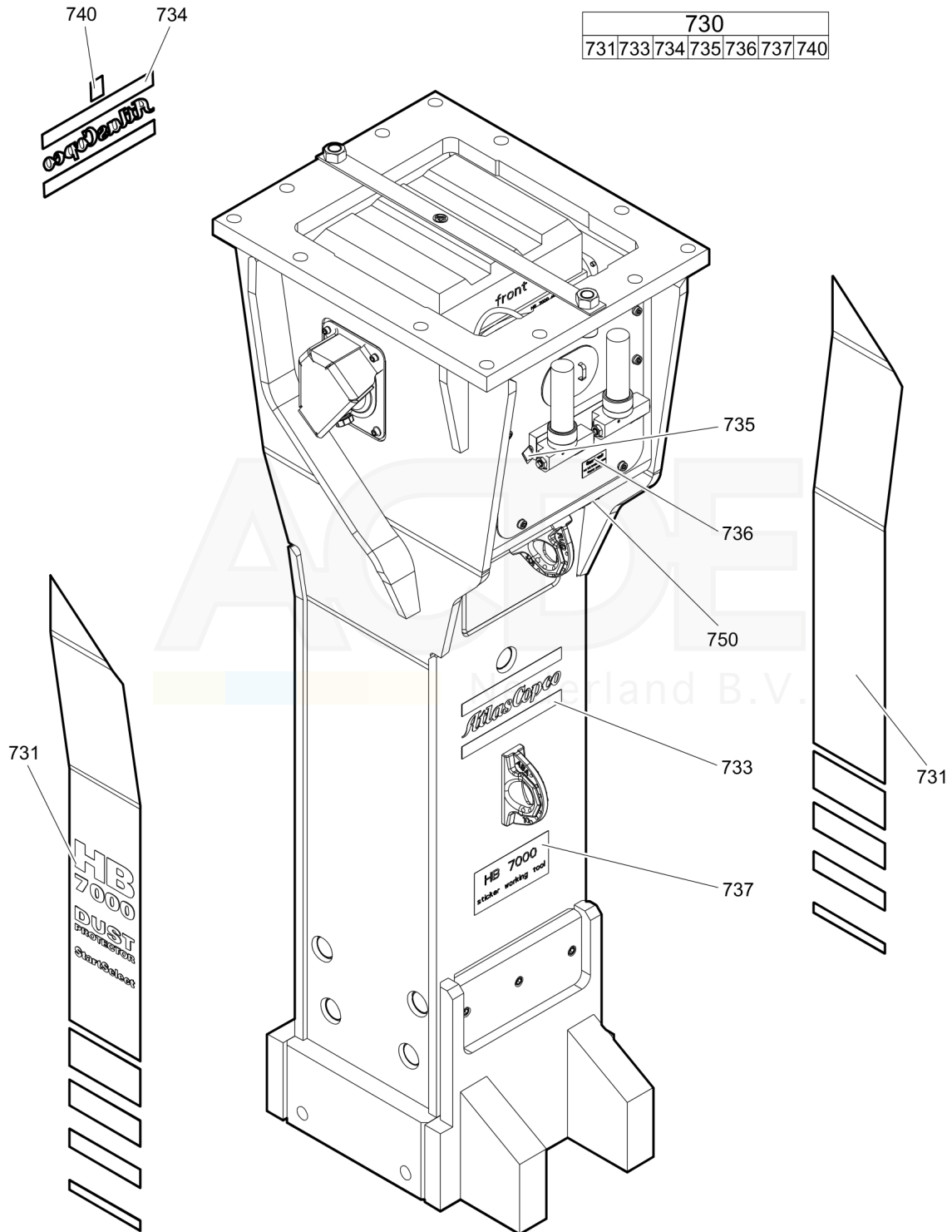
Service, repair and wear part kits Label kit HB 7000



Item	Part No.	Name	Qty	L
700(701-710)	3363094321	Label kit HB 7000	1	
701		Product label "HB 7000"	2	
703		Product label "Atlas Copco"	1	
704		Product label "Atlas Copco"	1	
705		Label - Lubricating symbol	1	
706		Label - Gas pressure	2	
707		Label working tools	1	
710		Sound power	1	
720		Name plate - Consult the Atlas Copco Customer Center/Dealer in your area.	1	



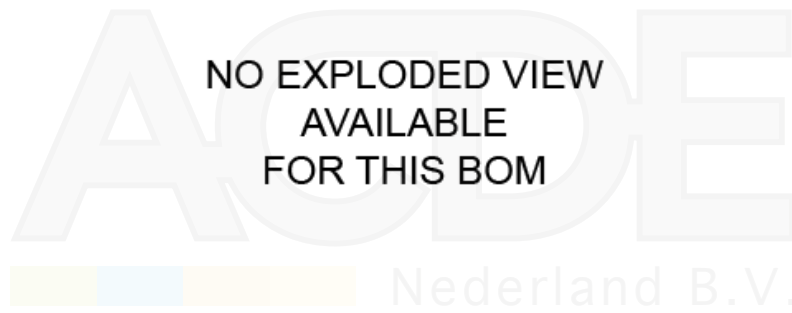
Service, repair and wear part kits Label kit HB 7000 DustProtector



Item	Part No.	Name	Qty	L
730(731-740)	3363094322	Label kit HB 7000 DP	1	
731		Product label "HB 7000 DP"	2	
733		Product label "Atlas Copco"	1	
734		Product label "Atlas Copco"	1	
735		Label - Lubricating symbol	1	
736		Label - Gas pressure	2	
737		Label working tools	1	
740		Sound power	1	
750		Name plate - Consult the Atlas Copco Customer Center/Dealer in your area.	1	



Service, repair and wear part kits Kit list



Item	Part No.	Name	Qty	L
KIT	3363087104	Seal kit	1	
103	3360314376	O-ring	1	
108	3360314370	O-ring	1	
112	3363110401	O-ring	1	
113	3363087085	Back-up ring	1	
115	3360478171	O-ring	1	
138	3360314373	O-ring	2	
145(146-147)	3361850422	Seal kit	1	
146		O-ring	2	
147		Back-up ring	2	
155(156-157)	3361850422	Seal kit	1	
156		O-ring	2	
157		Back-up ring	2	
164	3360314364	O-ring	4	
165	3360328046	Back-up ring	4	
182	3360478426	Threaded plug	1	
183	3360175125	O-ring	1	
203	3363103419	Seal	1	
204	3360314455	O-ring	16	
205	3360314368	O-ring	7	
206	3360478097	O-ring	8	
207	3361031988	O-ring	2	
290(291-292)	3362268907	Seal kit	2	
291		Back-up ring	1	
292		Seal	1	
305	3363083672	Wiper	1	
370	3360106819	Lock pin	1	
390(391-392)	3362268905	Seal kit	2	
391		Seal	1	
392		Back-up ring	1	
407	3360106818	Lock pin	1	
411	3360314453	O-ring	3	
602	3363083245	O-ring	1	
KIT	3363091732	Seal kit for swivel joint for automatic lubrication system	1	
KIT	3363089517	Plastic parts kit	1	
2	3362260549	Elastic pad	1	
3	3362260545	Shock absorber	2	

Refer to Parts Online for the most up to date information. The printed information might be outdated.

Mon Jul 31 07:47:41 UTC 2017

Item	Part No.	Name	Qty	L
4	3362269697	Guide plate	4	
5	3362262667	Guide plate	2	
6	3362262665	Guide plate	2	
7	3363093383	Plate	1	
KIT	3363094355	Tensioning bolt kit	1	A
191		Tensioning bolt	4	
192	3363093655	Washer	4	
487	3363085499	Threaded insert	4	
KIT	3363094391	DustProtector kit	1	
11	3363070666	Floating ring (tribolid)	1	
12	3363035643	Counter ring	1	
13	3363035639	Guide ring	1	
14	3363070645	Bolt	2	
15	3361854363	Locking bush	2	
KIT	3363119327	Noise protection kit	1	
31	3363086017	Plug	2	
32	3363031181	Cover	13	
39	3363092697	Cover	1	
KIT	3363103412	Lower breaker part kit (steel)	1	
401	3362260429	Retainer bar	2	
405	3362260431	Bolt	2	
409	3362260435	Plug	4	
482	3363069085	Impact ring	1	
483	3363069507	Wear bush	1	
484	3363088657	Wear bush (steel)	1	
485	3362260431	Bolt	4	
486	3362260433	Locking bush	6	
-	3361031988	O-ring	1	
-	3315038100	Chisel paste cartridge, 400 g 0.88 lb	1	
-	3362235295	Test gauge lower wear bush	1	
KIT	3363094381	Lower breaker part kit (bronze)	1	
401	3362260429	Retainer bar	2	
405	3362260431	Bolt	2	
409	3362260435	Plug	4	
482	3363069085	Impact ring	1	
483	3363069507	Wear bush	1	
484	3363088513	Wear bush (bronze)	1	

Refer to Parts Online for the most up to date information. The printed information might be outdated.

Mon Jul 31 07:47:41 UTC 2017

Item	Part No.	Name	Qty	L
485	3362260431	Bolt	4	
486	3362260433	Locking bush	6	
-	3361031988	O-ring	1	
-	3315038100	Chisel paste cartridge, 400 g 0.88 lb	1	
-	3362235295	Test gauge lower wear bush	1	
KIT	3363103413	Lower breaker part kit (steel) for DustProtector version	1	
18	3363088649	Base for wiper	1	
19	3363034589	Wiper	1	
401	3362260429	Retainer bar	2	
405	3362260431	Bolt	2	
409	3362260435	Plug	4	
482	3363069085	Impact ring	1	
483	3363069507	Wear bush	1	
484	3363088657	Wear bush (steel)	1	
485	3362260431	Bolt	4	
486	3362260433	Locking bush	6	
-	3361031988	O-ring	1	
-	3315038100	Chisel paste cartridge, 400 g 0.88 lb	1	
-	3362235295	Test gauge lower wear bush	1	
KIT	3363094382	Lower breaker part kit (bronze) for DustProtector version	1	
18	3363088649	Base for wiper	1	
19	3363034589	Wiper	1	
401	3362260429	Retainer bar	2	
405	3362260431	Bolt	2	
409	3362260435	Plug	4	
482	3363069085	Impact ring	1	
483	3363069507	Wear bush	1	
484	3363088513	Wear bush (bronze)	1	
485	3362260431	Bolt	4	
486	3362260433	Locking bush	6	
-	3361031988	O-ring	1	
-	3315038100	Chisel paste cartridge, 400 g 0.88 lb	1	
-	3362235295	Test gauge lower wear bush	1	
KIT	3363103487	Fastening screw kit	1	
161	3363113101	Fastening screw	4	
162	3363100049	Washer	4	
172	3361031546	Threaded insert	4	

Refer to Parts Online for the most up to date information. The printed information might be outdated.

Mon Jul 31 07:47:41 UTC 2017

Item	Part No.	Name	Qty	L
KIT	3363089850	Accumulator repair kit	1	
-	3361329022	Diaphragm	1	
-	3360332259	Filling screw	1	
-	3360314460	O-ring	1	
-	3361335025	Protective cap	1	
-	3360314364	O-ring	1	
-	3360328046	Back-up ring	1	

Comments for Page: Kit list

A | You need Anti-Seize agent when fitting tensioning bolts. You have to order it separately.

Anti-seize 120 g, part number 3363094300

Or buy it locally according to the following specification:

coefficient of friction 0.14 μ

coefficient of friction thread 0.13 μ

coefficient of friction on upside down 0.15 μ



This page intentionally left blank



Item	Part No.	Name	Qty	L
1		Percussion unit	1	A
2	3362260549	Elastic pad	1	
3	3362260545	Shock absorber	2	
4	3362269697	Guide plate	4	
5	3362262667	Guide plate	2	
6	3362262665	Guide plate	2	
7	3363093383	Plate	1	
20(21-24)	3363083677	Transport safety device complete	1	
21		Transport safety device	1	
22	3360114151	Allen screw	2	
23	3363091872	Label transport safety device	1	
24	3360103255	Nut	2	
31	3363031181	Cover	2	
32	3363086017	Plug	13	
33	3363098852	Plate	1	
34	3360103768	Allen screw	3	
35	3361333703	Pair of lock washers	3	
36	3360103750	Allen screw	2	
37	3361850596	Pair of lock washers	6	
38	3363098838	Plate	1	
39	3363092697	Cover	1	
40	3363106729	Plate	1	
41	3363111477	Swivel joint cover	1	
42	3363111461	Swivel joint cover	1	
43	3363111296	Pair of lock washers	2	
44	3360103751	Allen screw	6	
95	3363111996	Lifting eye	2	B
99	3363106730	Breaker box	1	C
500	3363067123	Automatic lubrication system	2	
550		Connecting kit for automatic lubrication system	1	A

Comments for Page: Hydraulic breaker HB 7000

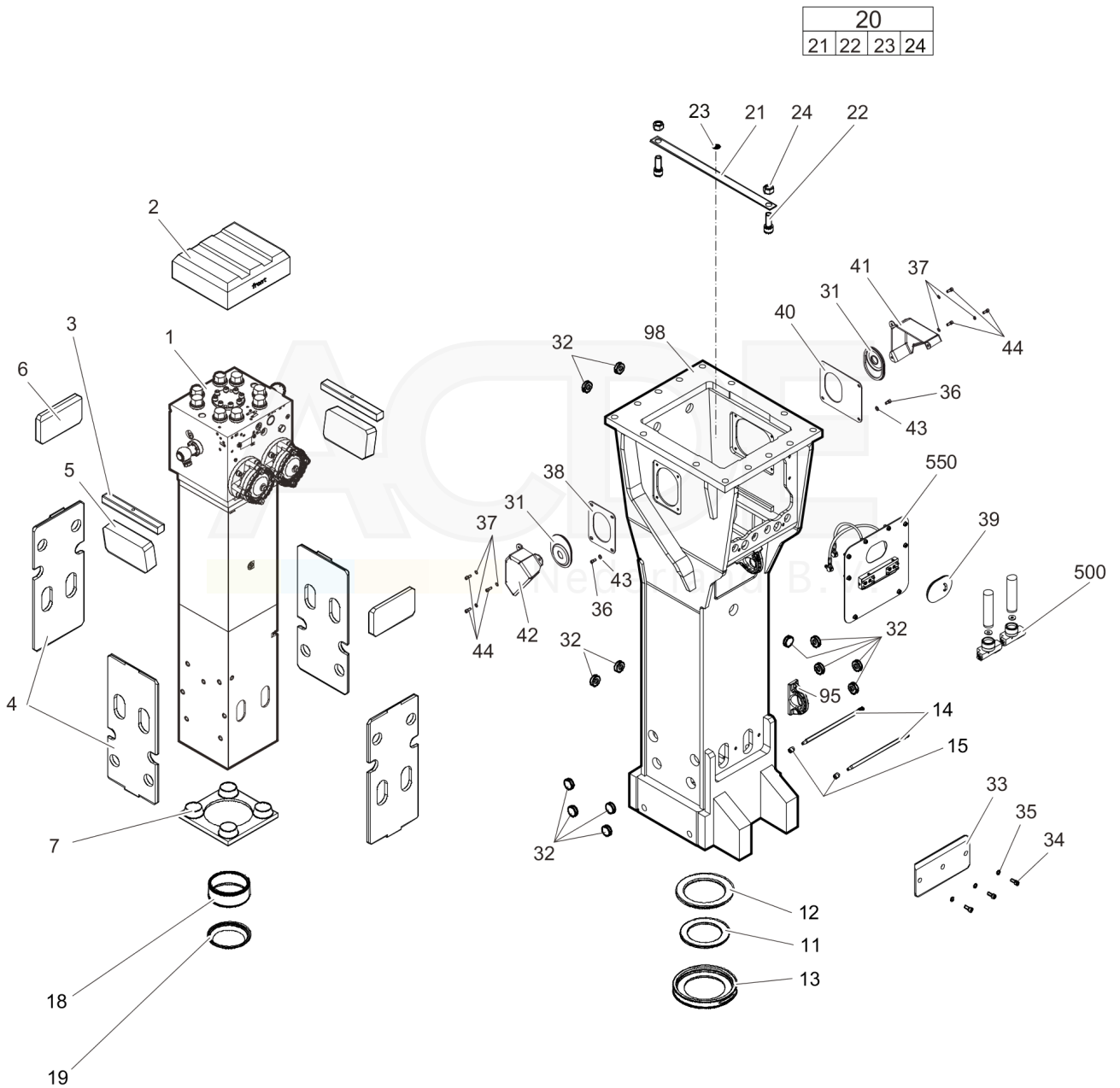
(L)OCAL REMARKS

A | see separate chapter

B | professional welding process necessary

C | with item 95

Mechanical Hydraulic breaker HB 7000 DustProtector



Refer to Parts Online for the most up to date information. The printed information might be outdated.

Mon Jul 31 07:47:42 UTC 2017

Item	Part No.	Name	Qty	L
1		Percussion unit	1	A
2	3362260549	Elastic pad	1	
3	3362260545	Shock absorber	2	
4	3362269697	Guide plate	4	
5	3362262667	Guide plate	2	
6	3362262665	Guide plate	2	
7	3363093383	Plate	1	
11	3363070666	Floating ring (tribolid)	1	B
12	3363035643	Counter ring	1	
13	3363035639	Guide ring	1	
14	3363070645	Bolt	2	
15	3361854363	Locking bush	2	
18	3363088649	Base for wiper	1	
19	3363034589	Wiper	1	
20(21-24)	3363083677	Transport safety device complete	1	
21		Transport safety device	1	
22	3360114151	Allen screw	2	
23	3363091872	Label transport safety device	1	
24	3360103255	Nut	2	
31	3363031181	Cover	2	
32	3363086017	Plug	13	
33	3363098852	Plate	1	
34	3360103768	Allen screw	3	
35	3361333703	Pair of lock washers	3	
36	3360103750	Allen screw	2	
37	3361850596	Pair of lock washers	6	
38	3363098838	Plate	1	
39	3363092697	Cover	1	
40	3363106729	Plate	1	
41	3363111477	Swivel joint cover	1	
42	3363111461	Swivel joint cover	1	
43	3363111296	Pair of lock washers	2	
44	3360103751	Allen screw	6	
95	3363111996	Lifting eye	2	C
98	3363106726	Breaker box	1	D
500	3363067123	Automatic lubrication system	2	
550		Connecting kit for automatic lubrication system	1	A

Refer to Parts Online for the most up to date information. The printed information might be outdated.

Mon Jul 31 07:47:43 UTC 2017

Comments for Page: Hydraulic breaker HB 7000 DustProtector

(L)OCAL REMARKS

A | see sepate chapter

B | steel see chapter Optional parts

C | professional welding process necessary

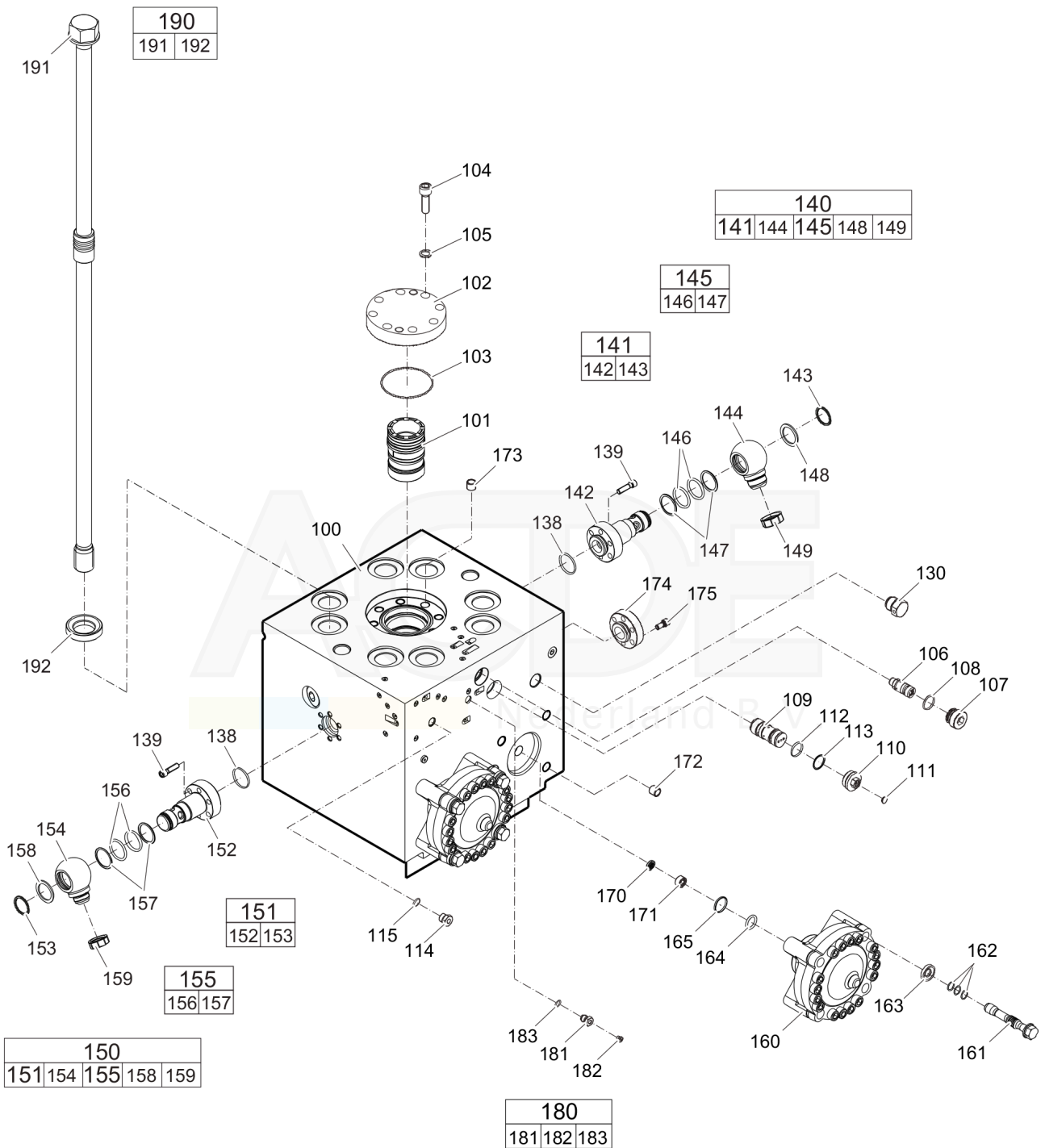
D | with item 95



This page intentionally left blank



Mechanical Percussion unit part 1: cylinder cover



Refer to Parts Online for the most up to date information. The printed information might be outdated.

Mon Jul 31 07:47:43 UTC 2017

Item	Part No.	Name	Qty	L
100	3363087987	Cylinder cover	1	A
101	3363086519	Main control valve	1	
102	3363086515	Cover	1	
103	3360314376	O-ring	1	
104	3360026784	Allen screw	8	
105	3361850748	Pair of lock washers	8	
106	3363035453	Valve	1	B
107	3363035425	Threaded plug	1	
108	3360314370	O-ring	1	
109	3363085270	Safety valve	1	C
110	3363087086	Threaded plug	1	
111	3363087087	Threaded plug	1	
112	3363110401	O-ring	1	
113	3363087085	Back-up ring	1	
114	3361854657	Connecting screw	1	
115	3360478171	O-ring	1	
130	3361854511	Non-return valve	1	
138	3360314373	O-ring	2	
139	3360026513	Allen screw	12	
140(141-149)	3363116889	Swivel joint complete	1	
141(142-143)	3363116887	Adapter complete	1	
142		Adapter	1	
143	3363116062	Snapring	1	
144	3363086569	Adapter	1	
145(146-147)	3361850422	Seal kit	1	
146		O-ring	2	
147		Back-up ring	2	
148	3361356645	Disk	1	
149	3363083749	Cap	1	
150(151-159)	3363116888	Swivel joint complete	1	
151(152-153)	3363116887	Adapter complete	1	
152		Adapter	1	
153	3363116062	Snapring	1	
154	3361356643	Adapter	1	
155(156-157)	3361850422	Seal kit	1	
156		O-ring	2	
157		Back-up ring	2	

Refer to Parts Online for the most up to date information. The printed information might be outdated.

Mon Jul 31 07:47:43 UTC 2017

Item	Part No.	Name	Qty	L
158	3361356645	Disk	1	
159	3361353489	Cap	1	
160	3363094981	HP-accumulator	2	
161	3363113101	Fastening screw	8	D
162	3363114730	Service kit O-rings	2	E
163	3363100049	Washer	8	
164	3360314364	O-ring	2	
165	3360328046	Back-up ring	2	
170	3361844113	Strainer disk	2	
171	3361844115	Threaded plug	2	
172	3361031546	Threaded insert	8	
173	3361031529	Threaded insert	8	
174	3363104787	Flange	1	
175	3360103750	Allen screw	6	
180(181-183)	3363087286	Filling valve complete	1	
181		Filling valve	1	
182	3360478426	Threaded plug	1	
183	3360175125	O-ring	1	
190(191-192)	3363085625	Tensioning bolt complete	8	
191		Tensioning bolt	1	
192	3363093655	Washer	1	

Comments for Page: Percussion unit part 1: cylinder cover

(L)OCAL REMARKS

A | with items 170 - 175

B | AutoControl

C | PowerAdapt

Only in exchange for the part to be replaced. Consult the Atlas Copco Customer Center/Dealer in your area.

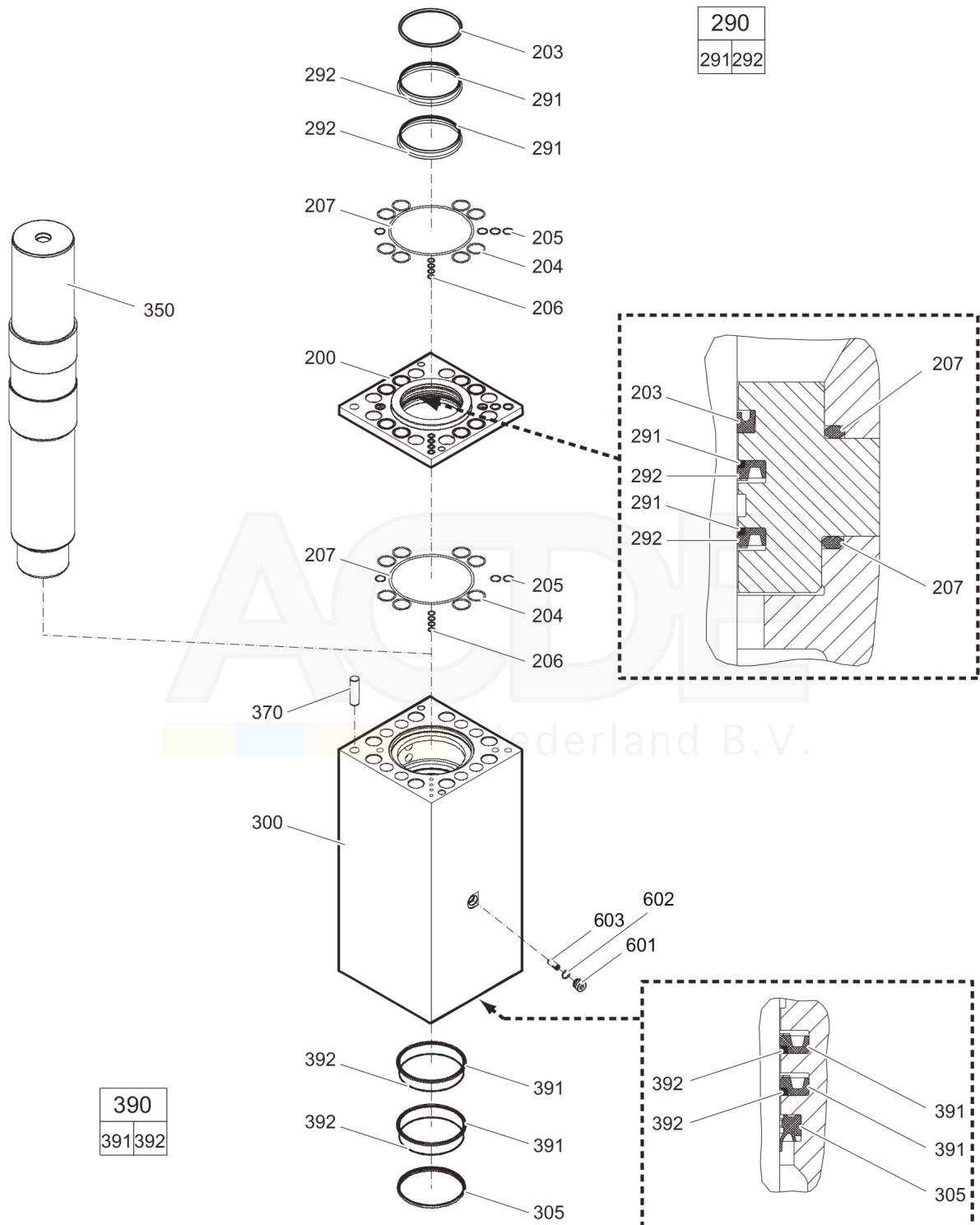
D | each fastening screw with 3 o-rings item 162

E | 12 o-rings for all 4 fastening screws item 161

This page intentionally left blank



Mechanical Percussion unit part 2: cylinder



Item	Part No.	Name	Qty	L
200	3363067387	Seal flange	1	
203	3363103419	Seal	1	
204	3360314455	O-ring	16	
205	3360314368	O-ring	7	
206	3360478097	O-ring	8	
207	3361031988	O-ring	2	
290(291-292)	3362268907	Seal kit	2	
291		Back-up ring	1	
292		Seal	1	
300	3363087003	Cylinder	1	A
305	3363083672	Wiper	1	
350	3363087006	Percussion piston	1	
370	3360106819	Lock pin	1	
390(391-392)	3362268905	Seal kit	2	
391		Seal	1	
392		Back-up ring	1	
601	3363082593	Plug	1	
602	3363083245	O-ring	1	
603	3363082505	Valve	1	B

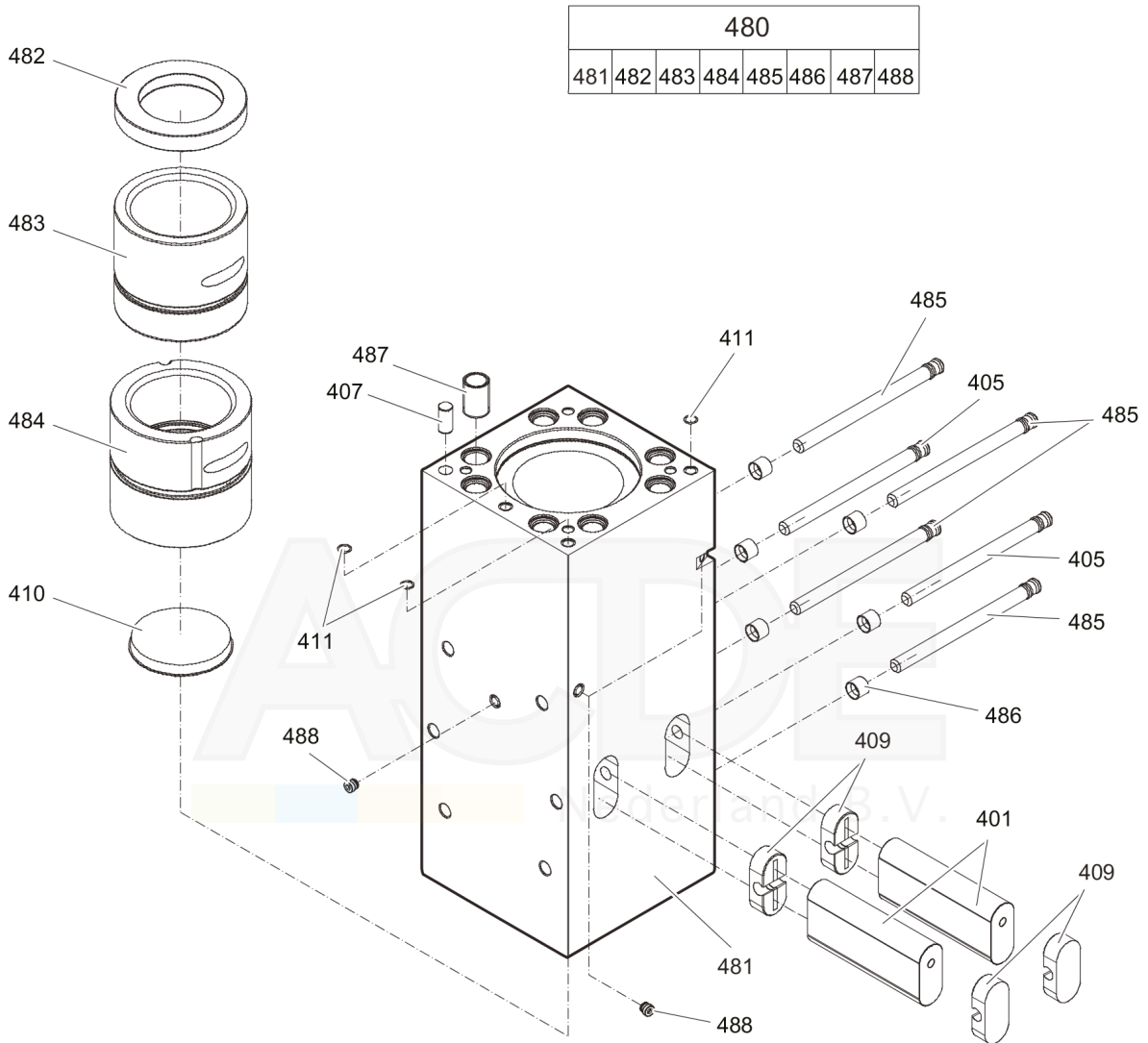
Comments for Page: Percussion unit part 2: cylinder

(L)OCAL REMARKS

A | with items 601 - 603

B | StartSelect

Mechanical Percussion unit part 3: lower breaker part (steel)

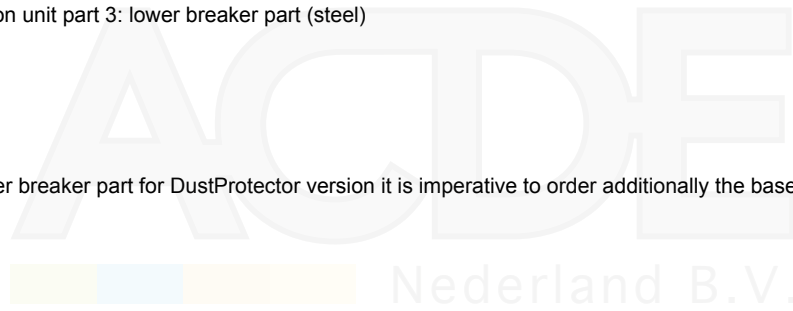


Item	Part No.	Name	Qty	L
401	3362260429	Retainer bar	2	
405	3362260431	Bolt	2	
407	3360106818	Lock pin	1	
409	3362260435	Plug	4	
410	3361855719	Protective cap	1	
411	3360314453	O-ring	3	
480(481-488)	3363089500	Lower breaker part complete with lower wear bush steel	1	A
481		Lower breaker part	1	
482	3363069085	Impact ring	1	
483	3363069507	Wear bush	1	
484	3363088657	Wear bush (steel)	1	
485	3362260431	Bolt	4	
486	3362260433	Locking bush	6	
487	3363085499	Threaded insert	8	
488	3363086301	Plug	3	

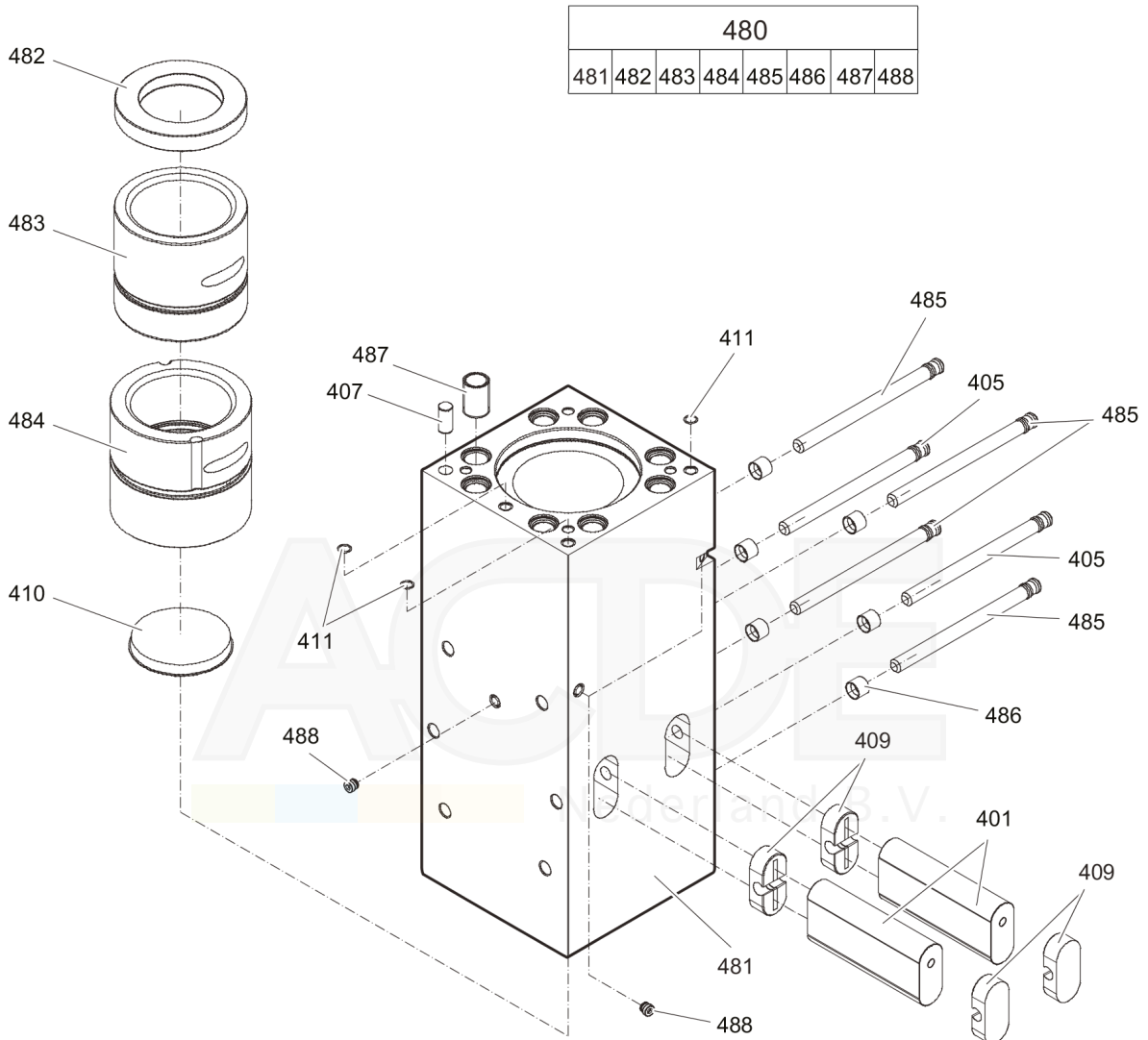
Comments for Page: Percussion unit part 3: lower breaker part (steel)

(L)OCAL REMARKS

A | Note: When ordering a lower breaker part for DustProtector version it is imperative to order additionally the base for wiper (item 18) and the wiper (item 19).



Mechanical Percussion unit part 3: lower breaker part (bronze)

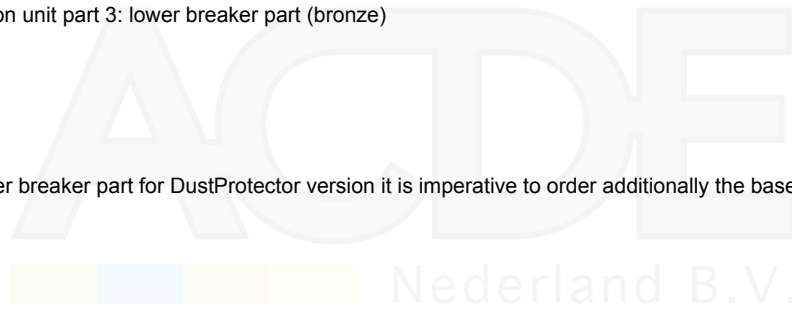


Item	Part No.	Name	Qty	L
401	3362260429	Retainer bar	2	
405	3362260431	Bolt	2	
407	3360106818	Lock pin	1	
409	3362260435	Plug	4	
410	3361855719	Protective cap	1	
411	3360314453	O-ring	3	
480(481-488)	3363116925	Lower breaker part complete with lower wear bush bronze	1	A
481		Lower breaker part	1	
482	3363069085	Impact ring	1	
483	3363069507	Wear bush	1	
484	3363088513	Wear bush (bronze)	1	
485	3362260431	Bolt	4	
486	3362260433	Locking bush	6	
487	3363085499	Threaded insert	8	
488	3363086301	Plug	3	

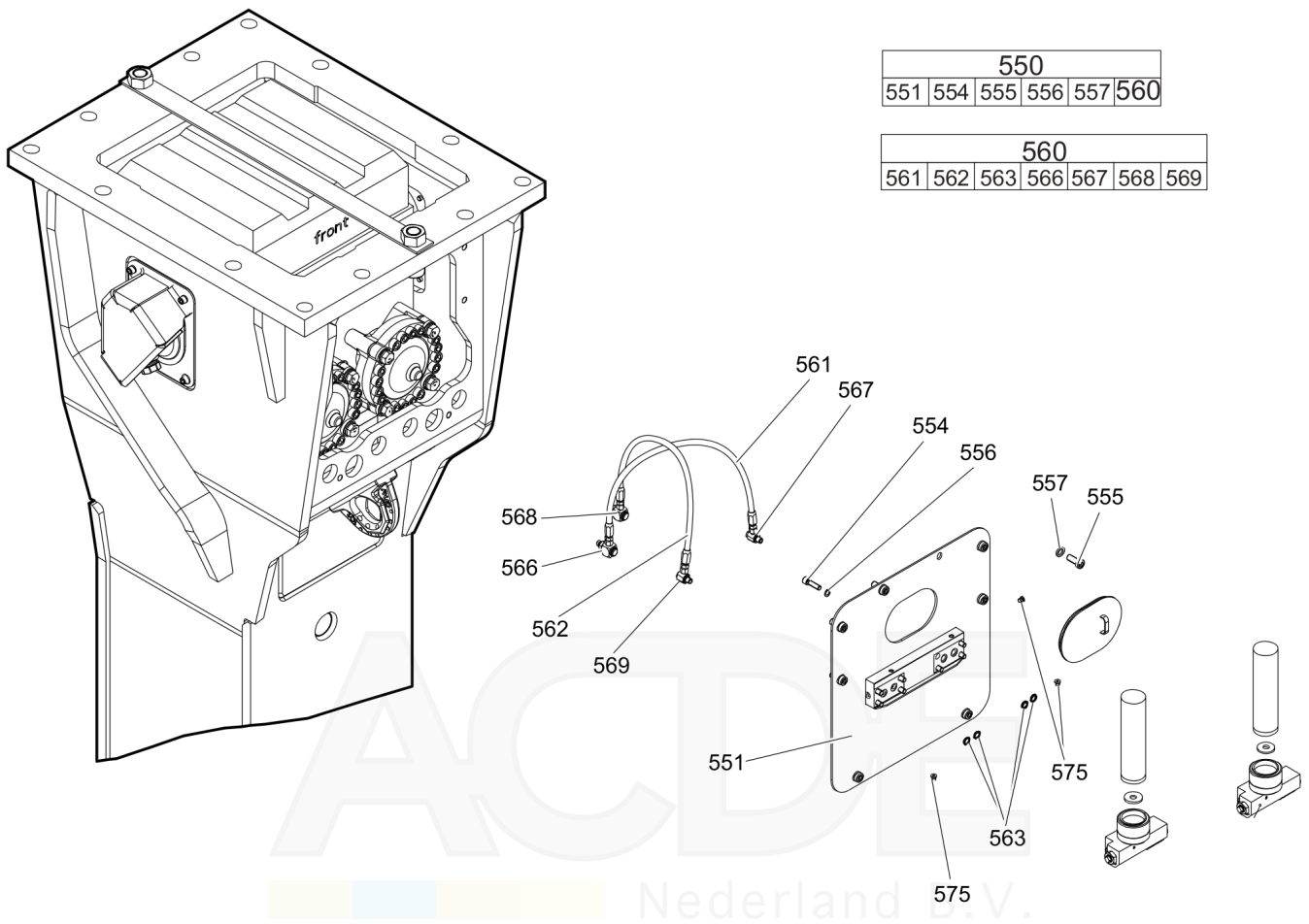
Comments for Page: Percussion unit part 3: lower breaker part (bronze)

(L)OCAL REMARKS

A | Note: When ordering a lower breaker part for DustProtector version it is imperative to order additionally the base for wiper (item 18) and the wiper (item 19).

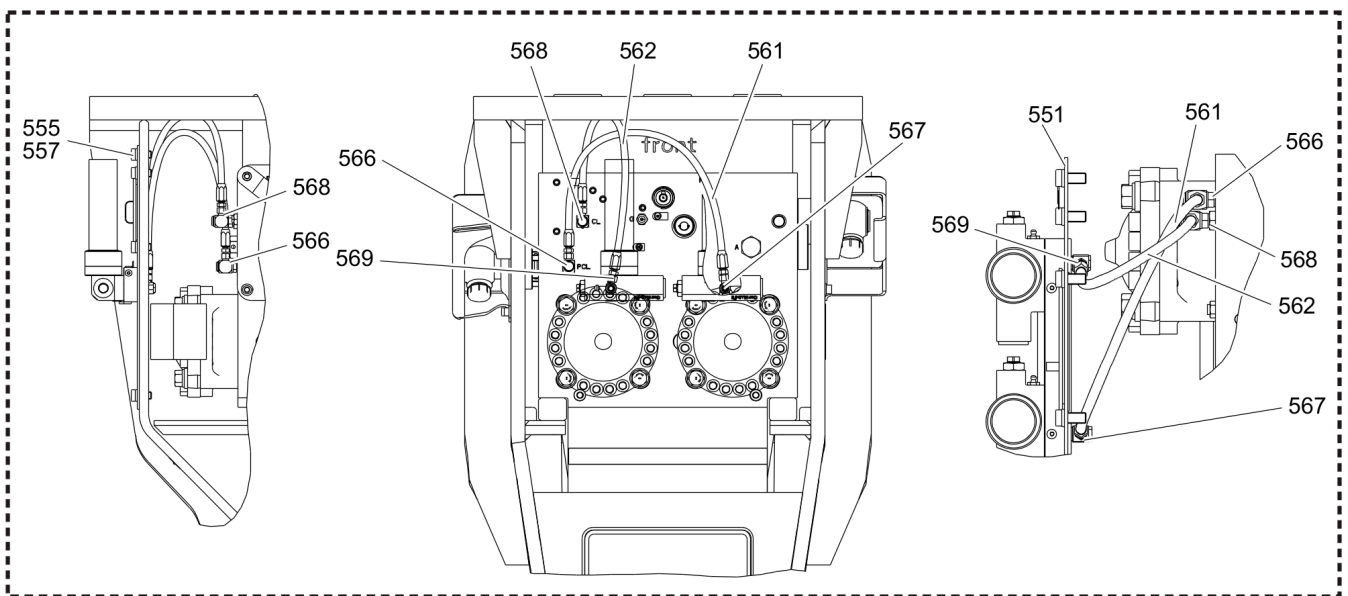


Mechanical Connecting kit for automatic lubrication system



550					
551	554	555	556	557	560

560					
561	562	563	566	567	568



Item	Part No.	Name	Qty	L
550(551-560)		Connecting kit for automatic lubrication system	1	
551	3363118844	Support	1	A
554	3360026512	Allen screw	8	B
555	3360100796	Allen screw	8	
556	3361850596	Pair of lock washers	8	
557	3361333703	Pair of lock washers	8	
560(561-569)	3363119350	Connecting kit for automatic lubrication system	1	C
561	3363083877	Hydraulic hose	1	D
562	3363087583	Hydraulic hose	1	E
563	3362267584	Seal	4	
566	3363087185	Fitting	1	B
567	3363066234	Fitting	1	B
568	3363087186	Fitting	1	B
569	3363066233	Fitting	1	B
575	3360107879	Plug	3	

Comments for Page: Connecting kit for automatic lubrication system

(L)OCAL REMARKS

A | with item 575

B | secure with Loctite 243

C | without fastening elements

D | Oil line

secure with Loctite 243

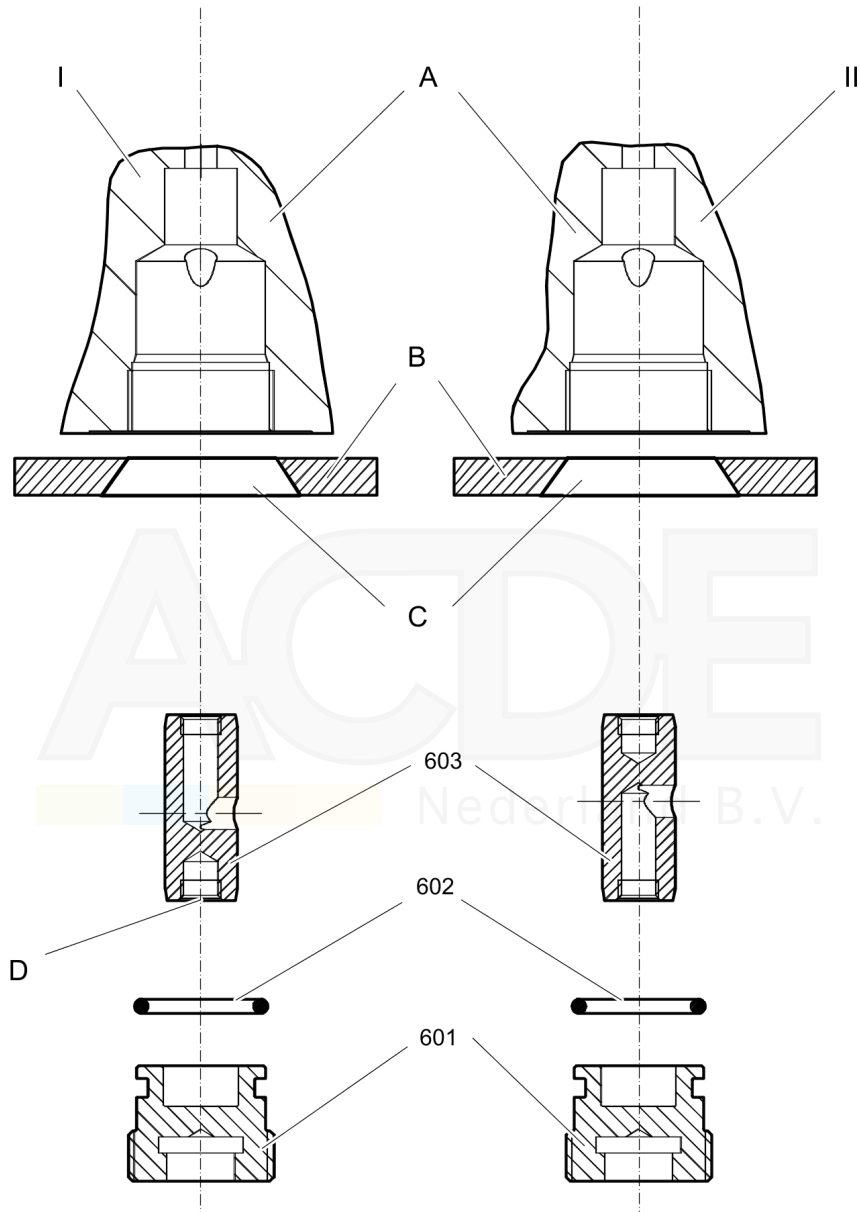
Route the hydraulic hoses as shown on the drawing. It must be ensured that the hydraulic hoses can move freely and are not in contact to any point.

E | Grease line

secure with Loctite 243

Route the hydraulic hoses as shown on the drawing. It must be ensured that the hydraulic hoses can move freely and are not in contact to any point.

Mechanical StartSelect - AutoStart or AutoStop



Item	Part No.	Name	Qty	L
601	3363082593	Plug	1	
602	3363083245	O-ring	1	
603	3363082505	Valve	1	A

Comments for Page: StartSelect - AutoStart or AutoStop

I = AutoStop setting

II = AutoStart setting (standard setting on delivery)

- A. Port bore in cylinder
- B. Wall of breaker box
- C. Plug of breaker box
- D. M 10 thread (both ends) for mounting

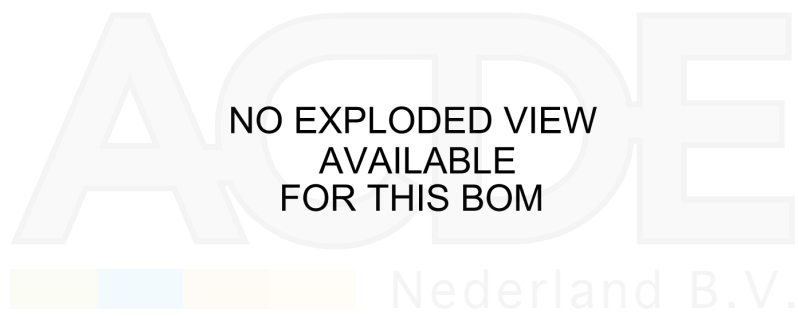
The position of the StartSelect unit is shown on the percussion unit illustrations.

(L)OCAL REMARKS

A | StartSelect



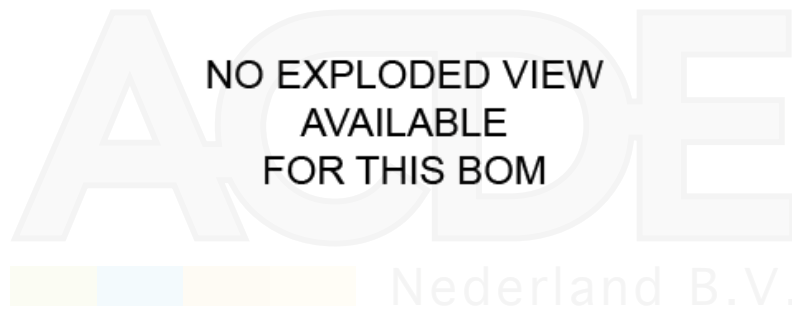
Mechanical Optional parts



Item	Part No.	Name	Qty	L
11	3363035641	Floating ring (steel)	1	
484	3363088657	Wear bush (steel)	1	
484	3363088513	Wear bush (bronze)	1	



Mechanical Tightening torques



Item	Part No.	Name	Qty	L
34	-	Allen screw - 200 Nm	-	J
36	-	Allen screw - 85 Nm	-	E
44	-	Allen screw - 85 Nm	-	E
104	-	Allen screw - 380 Nm	-	A
107	-	Threaded plug - 300 Nm	-	B
110	-	Threaded plug - 300 Nm	-	C
130	-	Non-return valve - 200 Nm	-	D
139	-	Allen screw - 80 Nm	-	E
161	-	Fastening screw -	-	F
175	-	Allen screw - 80 Nm	-	E
181	-	Filling valve - 130 Nm	-	G
182	-	Threaded plug - 20 Nm	-	H
191	-	Tensioning bolt -	-	I
601	-	Plug - 200 Nm	-	A, O
554	-	Allen screw - 85 Nm	-	E
555	-	Allen screw - 200 Nm	-	J
561	-	Hydraulic hose - 42 Nm	-	K
562	-	Hydraulic hose - 16 Nm	-	L
566	-	Fitting - 60 Nm	-	M
567	-	Fitting - 55 Nm	-	N
568	-	Fitting - 50 Nm	-	O
569	-	Fitting - 45 Nm	-	P

Comments for Page: Tightening torques

(L)OCAL REMARKS

A | Allen key size 17

B | Allen key size 22

C | Socket spanner size 24

D | Socket spanner size 41

E | Allen key size 10

F | Socket spanner size 30

1. Treat the threads and threaded inserts for the fastening screws with an Anti-Seize agent.
2. Treat the surfaces between the screw head, washer, and HP-accumulator cover with Anti-Seize.
3. Place on the HP-accumulator, and tighten the fastening screws by hand in a crosswise fashion.
4. Pretighten the fastening screws to 80 Nm, proceeding in a crosswise fashion,
5. then tighten each screw through 30° in a crosswise fashion,
6. finally tighten each screw again through 60° in a crosswise fashion.

G | Socket spanner size 22

H | Allen key size 5

I | Torque wrench or Power wrench size 65

1. Pretighten the tensioning bolts to 500 Nm, proceeding in a crosswise fashion,
2. then tighten each tensioning bolt through 180° (3 sides of hexagonal head) in a crosswise fashion,
3. then tighten each tensioning bolt again through 180° (3 sides of hexagonal head) in a crosswise fashion.
4. finally loose each tensioning bolt through -15° (1/4 side of hexagonal head) in a crosswise fashion.

J | Allen key size 14

K | Open-ended wrench size 19

L | Open-ended wrench size 17

M | Open-ended wrench size 19, 22, 27

N | Open-ended wrench size 19, 22

O | Open-ended wrench size 17, 22, 27

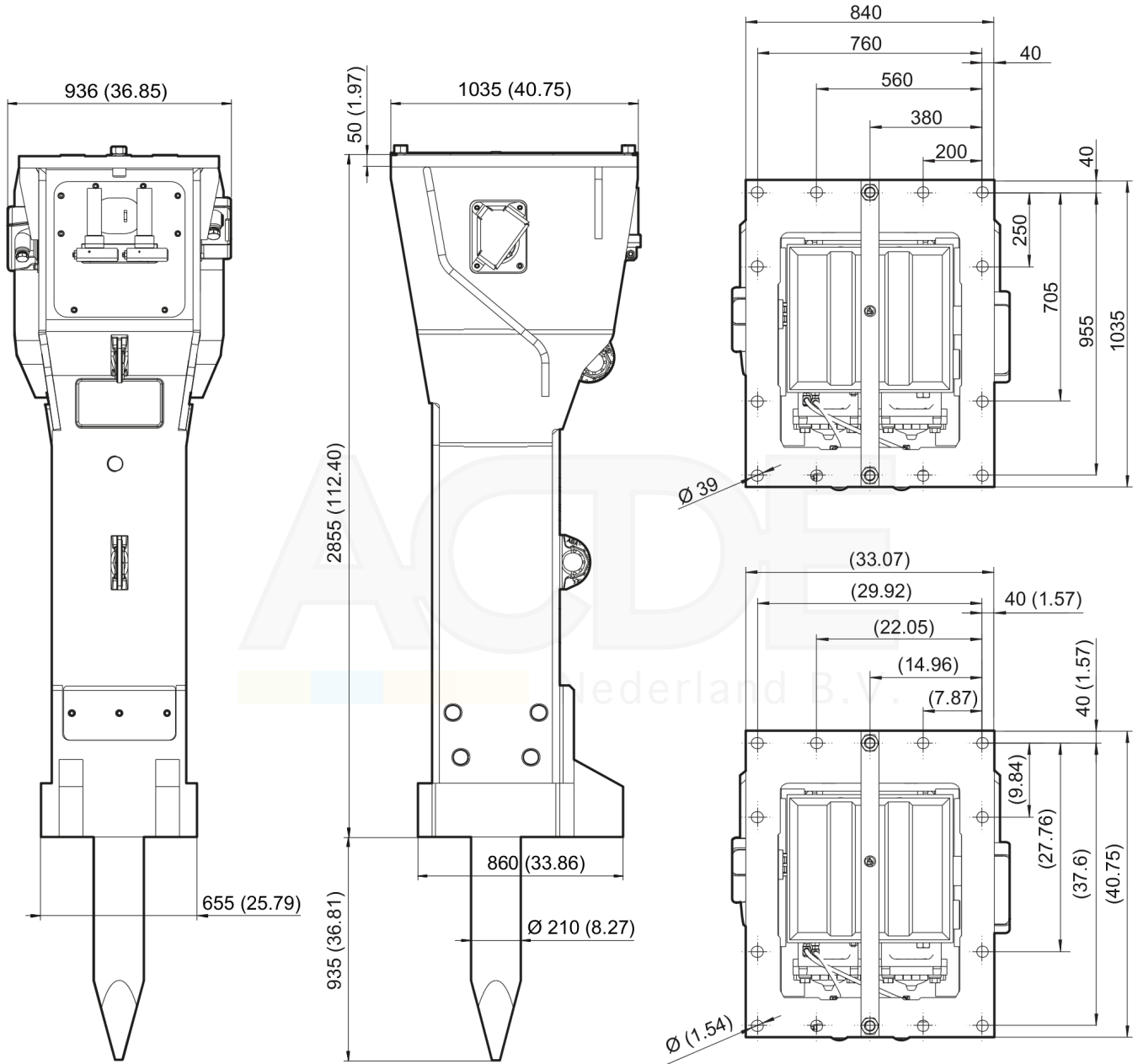
P | Open-ended wrench size 17, 19, 22



This page intentionally left blank



Mechanical Dimensions HB 7000



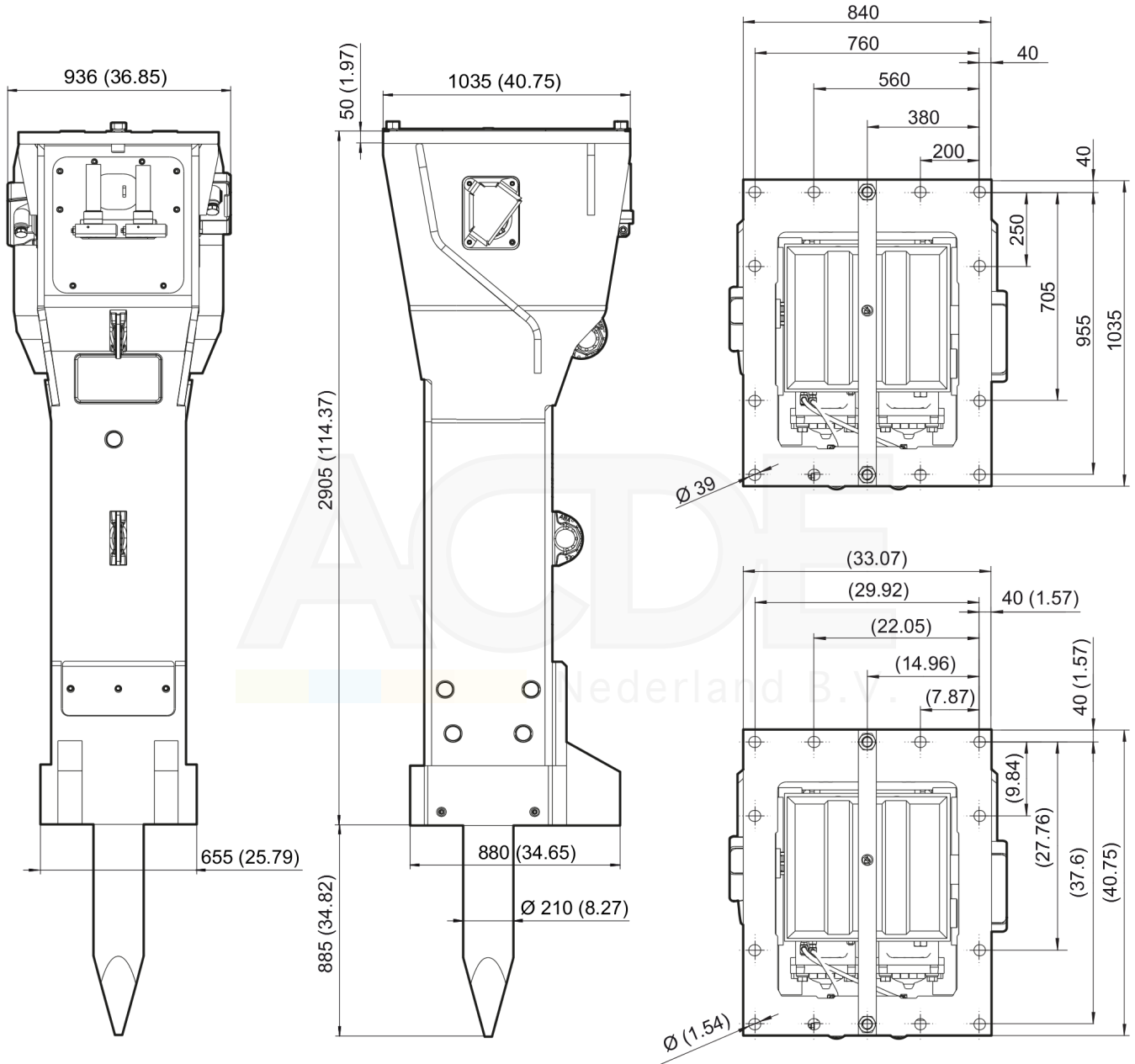
Refer to Parts Online for the most up to date information. The printed information might be outdated.

Mon Jul 31 07:47:47 UTC 2017

This page intentionally left blank



Mechanical Dimensions HB 7000 DP



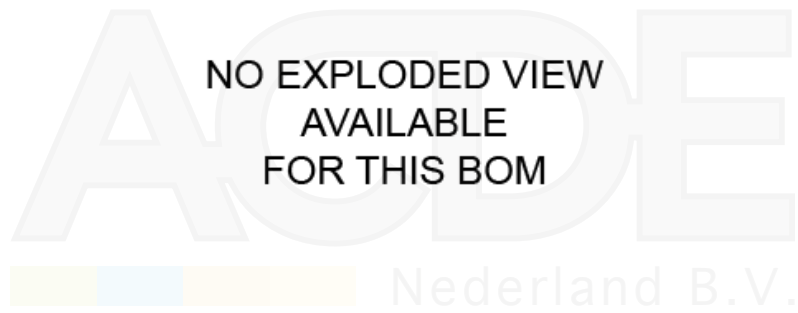
Refer to Parts Online for the most up to date information. The printed information might be outdated.

Mon Jul 31 07:47:47 UTC 2017

This page intentionally left blank



Options / accessories Hydraulic hoses



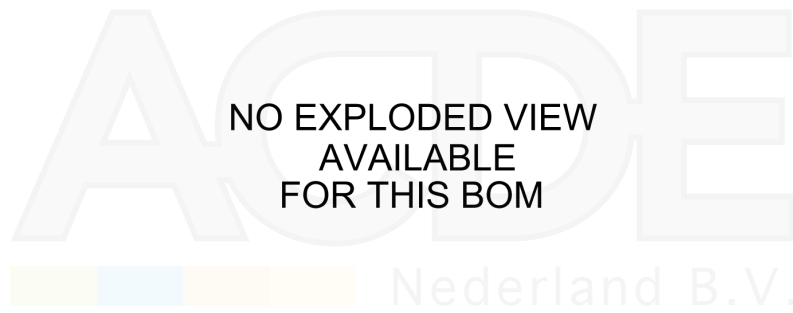
Item	Part No.	Name	Qty	L
-	3361853860	Hydraulic hose, I.D. 32 (1 1/4"), both ends JIC 1 5/8", length 2800 mm (110 in.)	1	
-	3363083563	Hydraulic hose, I.D. 40 (1 1/2"), both ends JIC 1 7/8", length 2800 mm (110 in.)	1	A
-	3361853861	Hydraulic hose, I.D. 32 (1 1/4"), both ends JIC 1 5/8", length 3500 mm (138 in.)	1	
-	3363083562	Hydraulic hose, I.D. 40 (1 1/2"), both ends JIC 1 7/8", length 3500 mm (138 in.)	1	A

Comments for Page: Hydraulic hoses

A | Return line



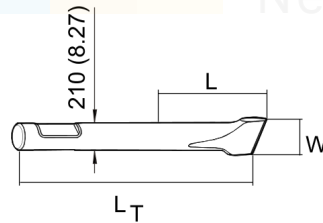
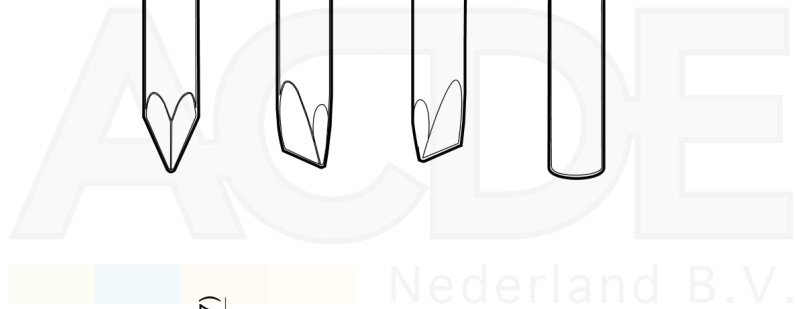
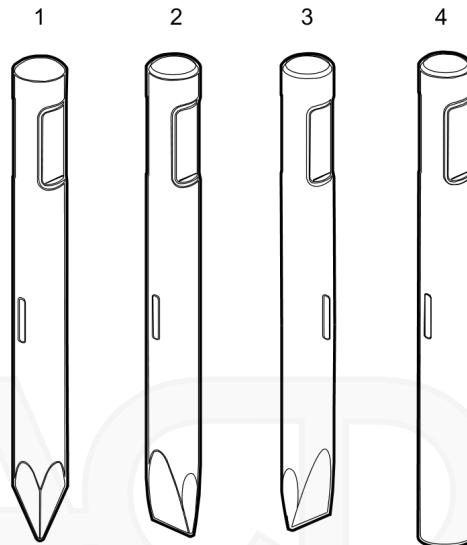
Options / accessories Optional equipment



Item	Part No.	Name	Qty	L
-	3363091200	Chisel paste cartridge, 12 x 500 g (1.1 lbs)	1	
-	3363034567	Grease gun for 500 g cartridge	1	
-	3360433774	Grease nipple	1	
-	3363089845	Maintenance and charging box with nitrogen cylinder, 5 l, 1.1 gal (1.32 US gal)	1	
-	3363094940	Maintenance and charging box without nitrogen cylinder	1	
-	3362235295	Test gauge lower wear bush	1	
-	3363094952	Inside callipers upper wear bush	1	
Not Shown	-	Adapter plate matching the carrier. Consult the Atlas Copco Customer Center/Dealer in your area.	1	
-	3363093497	Base plate with threaded inserts	1	
-	3363087305	Bolt kit	1	
-	3363102875	Base plate with through borings	1	
-	3363094577	Bolt kit	1	
-	3360478949	Allen key (27 mm)	1	
-	3363103077	Adapter kit for underwater applications	1	
-	3363092991	Piston retainer	1	



Options / accessories Working tools ClassicLine HB 7000



Item	Part No.	Name	Qty	L
1	3363087154	Moil point	1	A
1	3363082265	Moil point	1	B
2	3363085982	Chisel (cross)	1	C
2	3363082267	Chisel (cross)	1	D
3	3363094262	Chisel (parallel)	1	E
3	3363094263	Chisel (parallel)	1	F
4	3363087255	Blunt tool	1	G
4	3363082269	Blunt tool	1	H

Comments for Page: Working tools ClassicLine HB 7000

(L)OCAL REMARKS

A | L=735 mm, LT=1600 mm, Wt=368.0 kg

L=28.94 inch, LT=62.99 inch, Wt=811.3 lb

B | L=935 mm, LT=1800 mm, Wt=422.0 kg

L=36.81 inch, LT=70.87 inch, Wt=930.3 lb

C | W=210 mm, L=735 mm, LT=1600 mm, Wt=386.0 kg

W=8.27 inch, L=28.94 inch, LT=62.99 inch, Wt=851.0 lb

D | W=210 mm, L=935 mm, LT=1800 mm, Wt=440.0 kg

W=8.27 inch, L=36.81 inch, LT=70.87 inch, Wt=970.0 lb

E | W=210 mm, L=735 mm, LT=1600 mm, Wt=386 kg

W=8.27 inch, L=28.94 inch, LT=62.99 inch, Wt=851.0 lb

F | W=210mm, L=935 mm, LT=1800 mm, Wt=440.0 kg

W=8.27 inch, L=36.81 inch, LT=70.87 inch, Wt=970 lb

G| L=735 mm, LT=1600 mm, Wt=416.0 kg

L=28.94 inch, LT=62.99 inch, Wt=917.1 lb

H | L=935 mm, LT=1800 mm, Wt=470.0 kg

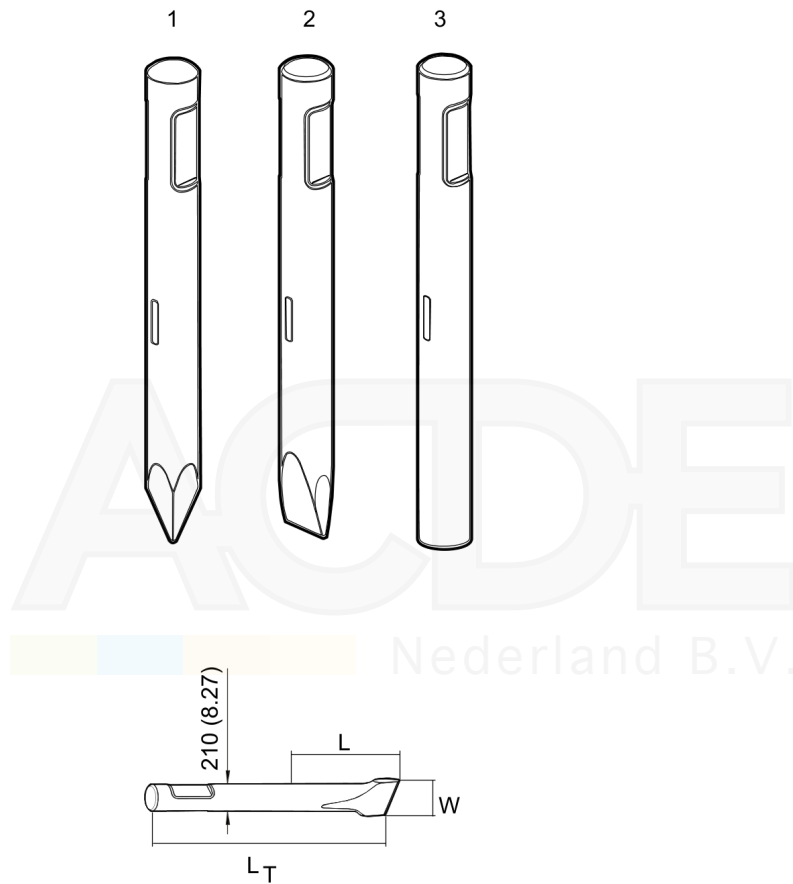
L=36.81 inch, LT=70.87 inch, Wt=1036.2 lb



This page intentionally left blank



Options / accessories Working tools SilverLine HB 7000



Item	Part No.	Name	Qty	L
1	3363091423	Moil point	1	A
2	3363091424	Chisel (cross)	1	B
3	3363091425	Blunt tool	1	C

Comments for Page: Working tools SilverLine HB 7000

(L)OCAL REMARKS

A | L=935 mm, LT=1800 mm, Wt=422.0 kg

L=36.81 inch, LT=70.87 inch, Wt=930.3 lb

B | W=210 mm, L=935 mm, LT=1800 mm, Wt=440.0 kg

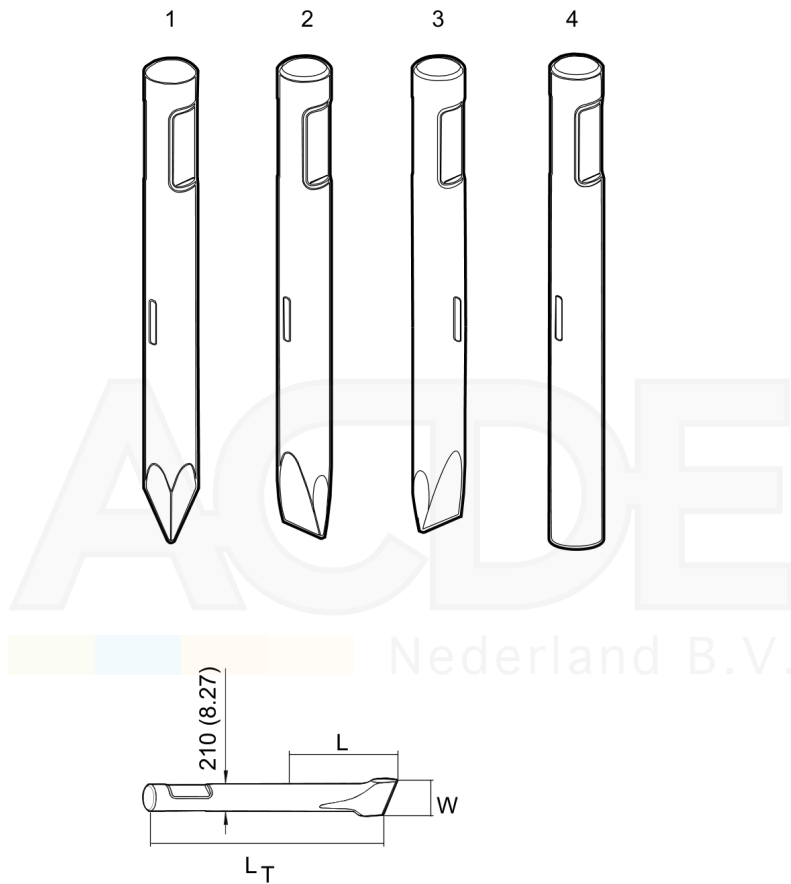
W=8.27 inch, L=36.81 inch, LT=70.87 inch, Wt=970.0 lb

C | L=935 mm, LT=1800 mm, Wt=470.0 kg

L=36.81 inch, LT=70.87 inch, Wt=1036.2 lb



Options / accessories Working tools ClassicLine HB 7000 DP



Item	Part No.	Name	Qty	L
1	3363087154	Moil point	1	A
1	3363082265	Moil point	1	B
2	3363085982	Chisel (cross)	1	C
2	3363082267	Chisel (cross)	1	D
3	3363094262	Chisel (parallel)	1	E
3	3363094263	Chisel (parallel)	1	F
4	3363087255	Blunt tool	1	G
4	3363082269	Blunt tool	1	H

Comments for Page: Working tools ClassicLine HB 7000 DP

(L)OCAL REMARKS

A | L=685 mm, LT=1600 mm, Wt=368.0 kg

L=26.97 inch, LT=62.99 inch, Wt=811.3 lb

B | L=885 mm, LT=1800 mm, Wt=422.0 kg

L=34.84 inch, LT=70.87 inch, Wt=930.3 lb

C | W=210 mm, L=685 mm, LT=1600 mm, Wt=386.0 kg

W=8.27 inch, L=26.97 inch, LT=62.99 inch, Wt=851.0 lb

D | W=210 mm, L=885 mm, LT=1800 mm, Wt=440.0 kg

W=8.27 inch, L=34.84 inch, LT=70.87 inch, Wt=970.0 lb

E | W=210 mm, L=685 mm, LT=1600 mm, Wt=386.0 kg

W=8.27 inch, L=26.97 inch, LT=62.99 inch, Wt=851.0 lb

F | W=210mm, L=885 mm, LT=1800 mm, Wt=440.0 kg

W=8.27 inch, L=34.84 inch, LT=70.87 inch, Wt=970.0 lb

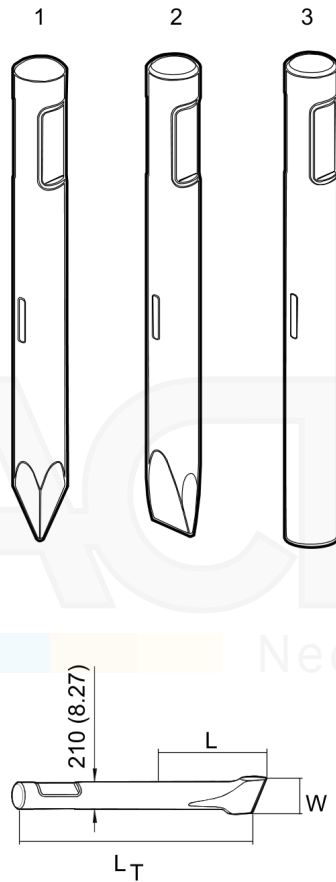
G | L=685 mm, LT=1600 mm, Wt=416.0 kg

L=26.97 inch, LT=62.99 inch, Wt=917.1 lb

H | L=885 mm, LT=1800 mm, Wt=470.0 kg

L=34.84 inch, LT=70.87 inch, Wt=1036.2 lb

Options / accessories Working tools SilverLine HB 7000 DP



Item	Part No.	Name	Qty	L
1	3363091423	Moil point	1	A
2	3363091424	Chisel (cross)	1	B
3	3363091425	Blunt tool	1	C

Comments for Page: Working tools SilverLine HB 7000 DP

(L)OCAL REMARKS

A | L=885 mm, LT=1800 mm, Wt=422.0 kg

L=34.84 inch, LT=70.87 inch, Wt=930.3 lb

B | W=210mm, L=885 mm, LT=1800 mm, Wt=440.0 kg

W=8.27 inch, L=34.84 inch, LT=70.87 inch, Wt=970.0 lb

C | L=885 mm, LT=1800 mm, Wt=470.0 kg

L=34.84 inch, LT=70.87 inch, Wt=1036.2 lb





Any unauthorized use or copying of the contents or any part thereof is prohibited.
This applies in particular to trademarks, model denominations, part numbers, and
drawings.