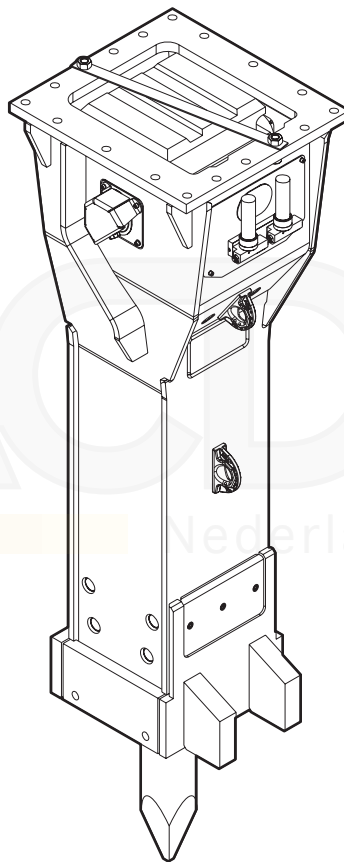


HB 10000 DP

Spare parts list Hydraulic breakers

HB 10000 DP s/n DEQ160469 -



General information

This spare parts list applies to the following:

Part number	Description
3363100391	Hydraulic breaker HB 10000 DustProtector with lower wear bush (steel)
3363116874	Hydraulic breaker HB 10000 DustProtector with lower wear bush (bronze)

Use only authorized parts. Any damage or malfunction caused by the use of unauthorized parts is not covered by Warranty or Product Liability. Any unauthorized use or copying of the contents or any part thereof is prohibited. This applies in particular to trademarks, model denominations, part numbers, and drawings.

Instructions for use

This spare parts list contains no safety regulations and is merely intended to assist in the ordering of spare parts.

For information about operating, servicing, or repairing, the relevant Safety and operating instructions must be consulted at all costs.

Please observe the safety instructions listed in the relevant Safety and operating instructions!

Instructions for ordering

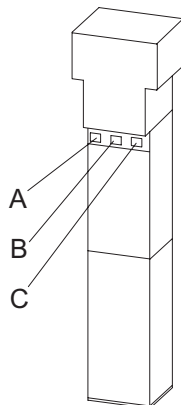
It is essential to indicate the serial number of the hydraulic attachment when ordering spare parts!

Please note the full identification number of your hydraulic attachment.

The code can be found on the cylinder.

Determine the quantity of individual parts which are required and need to be ordered. The order must indicate the following details:

- full identification code of the hydraulic attachment
- required quantity
- part number
- description



A. Cylinder number

B. Type

C. Serial number

Contents

Service, repair and wear part kits

Label kit HB 10000 DustProtector 1
Kit list 3

Mechanical

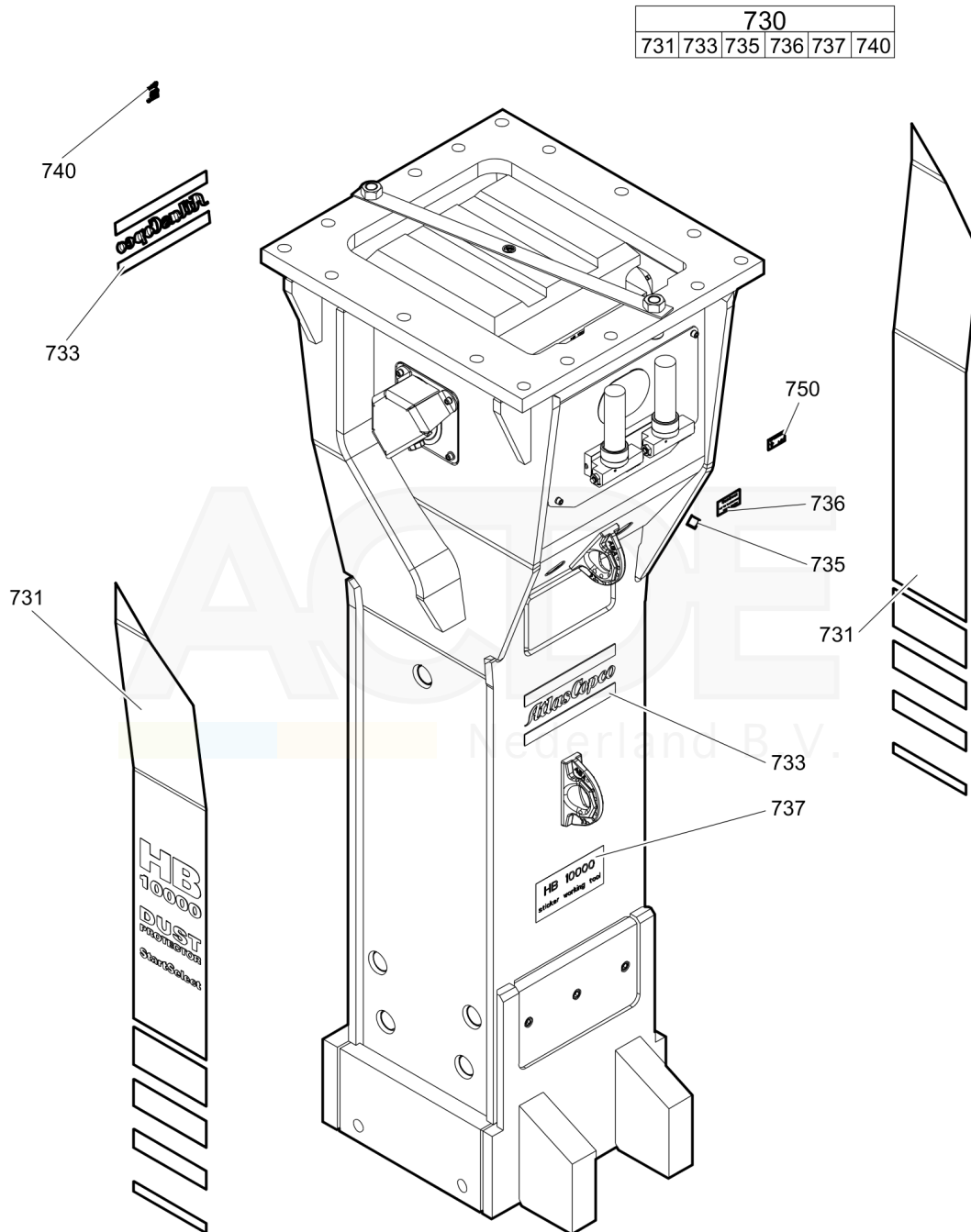
Hydraulic breaker HB 10000 DustProtector7
Percussion unit part 1: cylinder cover10
Percussion unit part 2: cylinder 14
Percussion unit part 3: lower breaker part (steel) 17
Percussion unit part 3: lower breaker part (bronze) 19
Connecting kit for automatic lubrication system 21
StartSelect - AutoStart or AutoStop 23
Optional parts25
Tightening torque 27
Dimensions HB 10000 DustProtector 30

Options / accessories

Hydraulic hoses 32
Optional equipment 35
SilverLine HB 10000 37



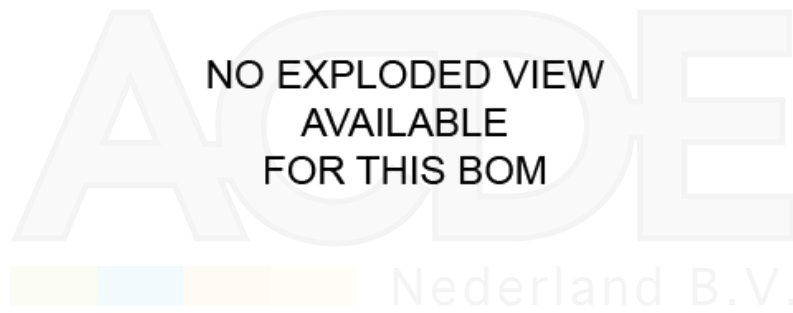
Service, repair and wear part kits Label kit HB 10000 DustProtector



Item	Part No.	Name	Qty	L
730(730-740)	3363098327	Label kit HB 10000 DP	1	
731		Product label "HB 10000 DP"	2	
733		Product label "Atlas Copco"	2	
735		Label - Lubricating symbol	1	
736		Label - Gas pressure	2	
737		Label working tools	1	
740		Sound power label	1	
750		Name plate - Consult the Atlas Copco Customer Center/Dealer in your area.	1	



Service, repair and wear part kits Kit list



Item	Part No.	Name	Qty	L
KIT	3363098322	Seal kit	1	
103	3360478291	O-ring	1	
108	3360314370	O-ring	1	
112	3363110401	O-ring	1	
113	3363087085	Back-up ring	1	
115	3360478171	O-ring	1	
138	3360314373	O-ring	2	
145(146-147)	3361850422	Seal kit	1	
146		O-ring	2	
147		Back-up ring	2	
155(156-157)	3361850422	Seal kit	1	
156		O-ring	2	
157		Back-up ring	2	
164	3360314364	O-ring	2	
165	3360328046	Back-up ring	2	
182	3360478426	Threaded plug	1	
183	3360175125	O-ring	1	
201	3363103420	Seal	1	
204	3360478097	O-ring	10	
205	3360314368	O-ring	4	
206	3363070632	O-ring	16	
207	3363094978	O-ring	2	
290(291-292)	3363098324	Seal kit	2	
291		Back-up ring	1	
292		Seal	1	
305	3363094974	Wiper	1	
370	3360106819	Lock pin	1	
390(391-392)	3363098325	Seal kit	2	
391		Seal	1	
392		Back-up ring	1	
405	3360314453	O-ring	3	
407	3360106818	Lock pin	1	
602	3363083245	O-ring	1	
KIT	3363091732	Seal kit for swivel joint for automatic lubrication system	1	
KIT	3363094823	Plastic parts kit	1	
2	3363092957	Elastic pad	1	
3	3363093853	Shock absorber	2	

Refer to Parts Online for the most up to date information. The printed information might be outdated.

Mon Jul 31 08:17:31 UTC 2017

Item	Part No.	Name	Qty	L
4	3363093855	Guide plate	4	
5	3362262667	Guide plate	2	
6	3362262665	Guide plate	2	
7	3363100713	Guide plate	1	
8	3363100777	Plate	2	
KIT	3363098329	Tensioning bolt kit	1	A
191		Tensioning bolt	4	
192	3363093653	Washer	4	
487	3363085321	Threaded insert	4	
KIT	3363098330	DustProtector kit	1	
11	3363100701	Floating ring (tribolid)	1	
12	3363100703	Counter ring	1	
13	3363100705	Guide ring	1	
14	3363100707	Bolt	2	
15	3361854363	Locking bush	2	
KIT	3363113796	Noise protection kit	1	
31	3363031181	Cover	2	
32	3363086017	Plug	15	
40	3363092697	Cover	1	
KIT	3363103415	Lower breaker part kit (bronze)	1	
18	3363100709	Base for wiper	1	
19	3363100711	Wiper	1	
401	3363100027	Retainer bar	2	
402	3362260431	Bolt	2	
403	3363100029	Plug	4	
482	3363100035	Impact ring	1	
483	3363100037	Wear bush	1	
484	3363100039	Wear bush (bronze)	1	
485	3362260431	Bolt	4	
486	3362260433	Locking bush	6	
-	3315038100	Chisel paste cartridge, 400 g 0.88 lb	1	
-	3363100467	Test gauge lower wear bush	1	
KIT	3363098332	Lower breaker part kit (steel)	1	
18	3363100709	Base for wiper	1	
19	3363100711	Wiper	1	
401	3363100027	Retainer bar	2	
402	3362260431	Bolt	2	

Refer to Parts Online for the most up to date information. The printed information might be outdated.

Mon Jul 31 08:17:31 UTC 2017

Item	Part No.	Name	Qty	L
403	3363100029	Plug	4	
482	3363100035	Impact ring	1	
483	3363100037	Wear bush	1	
484	3363100041	Wear bush (steel)	1	
485	3362260431	Bolt	4	
486	3362260433	Locking bush	6	
-	3315038100	Chisel paste cartridge, 400 g 0.88 lb	1	
-	3363100467	Test gauge lower wear bush	1	
KIT	3363098338	Fastening screw kit	1	
161	3363113101	Fastening screw	4	
162	3363100049	Washer	4	
172	3363094982	Threaded insert	4	
KIT	3363089850	Accumulator repair kit	1	
-	3361329022	Diaphragm	1	
-	3360332259	Filling screw	1	
-	3360314460	O-ring	1	
-	3361335025	Protective cap	1	
-	3360314364	O-ring	1	
-	3360328046	Back-up ring	1	

Comments for Page: Kit list

A | You need Anti-Seize agent when fitting tensioning bolts. You have to order it separately.

Anti-seize 120 g, part number 3363094300

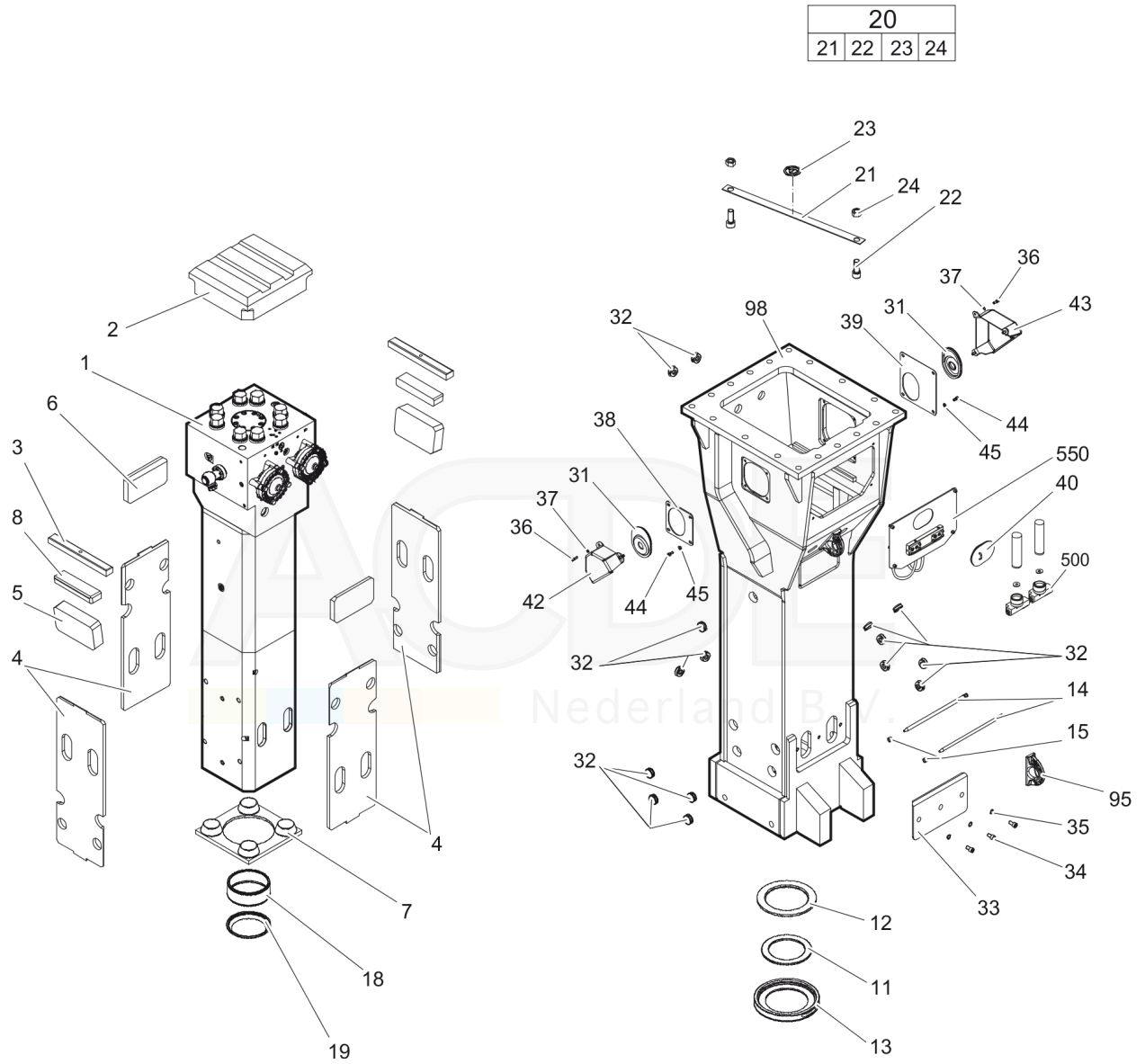
Or buy it locally according to the following specification:

coefficient of friction 0.14 μ

coefficient of friction thread 0.13 μ

coefficient of friction on upside down 0.15 μ

Mechanical Hydraulic breaker HB 10000 DustProtector



Refer to Parts Online for the most up to date information. The printed information might be outdated.

Mon Jul 31 08:17:32 UTC 2017

Item	Part No.	Name	Qty	L
1		Percussion unit	1	A
2	3363092957	Elastic pad	1	
3	3363093853	Shock absorber	2	
4	3363093855	Guide plate	4	
5	3362262667	Guide plate	2	
6	3362262665	Guide plate	2	
7	3363100713	Guide plate	1	
8	3363100777	Plate	2	
11	3363100701	Floating ring (tribolid)	1	B
12	3363100703	Counter ring	1	
13	3363100705	Guide ring	1	
14	3363100707	Bolt	2	
15	3361854363	Locking bush	2	
18	3363100709	Base for wiper	1	
19	3363100711	Wiper	1	
20(21-24)	3363094825	Transport safety device complete	1	
21		Transport safety device	1	
22	3360114151	Allen screw	2	
23	3363091872	Label transport safety device	1	
24	3360103255	Nut	2	
31	3363031181	Cover	2	
32	3363086017	Plug	15	
33	3363093827	Plate	1	
34	3363083007	Allen screw	3	
35	3361850748	Pair of lock washers	3	
36	3360103751	Allen screw	6	
37	3361850596	Pair of lock washers	6	
38	3363098830	Plate	1	
39	3363103287	Plate	1	
40	3363092697	Cover	1	
42	3363111467	Swivel joint cover	1	
43	3363111472	Swivel joint cover	1	
44	3360103750	Allen screw	2	
45	3363111296	Pair of lock washers	2	
95	3363111996	Lifting eye	2	C
98	3363113273	Breaker box	1	
500	3363067123	Automatic lubrication system	2	

Refer to Parts Online for the most up to date information. The printed information might be outdated.

Mon Jul 31 08:17:32 UTC 2017

Item	Part No.	Name	Qty	L
550		Connecting kit for automatic lubrication system	1	D

Comments for Page: Hydraulic breaker HB 10000 DustProtector

(L)OCAL REMARKS

A | see separate chapter

Note: When ordering a percussion unit for DustProtector version it is imperative to order additionally the base for wiper (item 18) and the wiper (item 19).

B | steel see chapter Optional parts

C | professional welding process necessary

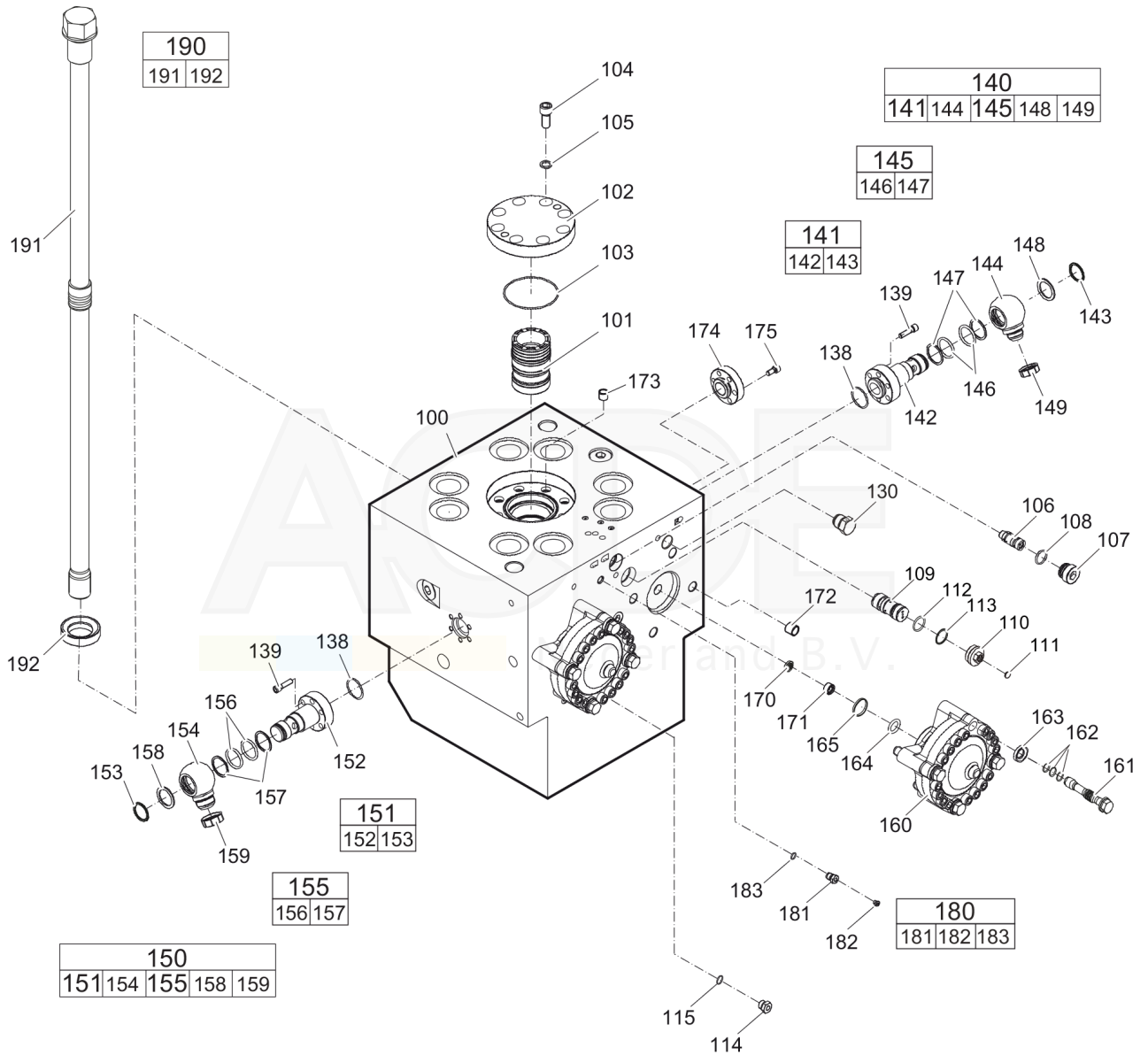
D | see separate chapter



This page intentionally left blank



Mechanical Percussion unit part 1: cylinder cover



Refer to Parts Online for the most up to date information. The printed information might be outdated.

Mon Jul 31 08:17:32 UTC 2017

Item	Part No.	Name	Qty	L
100	3363098312	Cylinder cover	1	A
101	3363100015	Main control valve	1	
102	3363100017	Cover	1	
103	3360478291	O-ring	1	
104	3360103776	Allen screw	8	
105	3361850748	Pair of lock washers	8	
106	3363035453	Valve	1	B
107	3363035425	Threaded plug	1	
108	3360314370	O-ring	1	
109	3363085270	Safety valve	1	C
110	3363087086	Threaded plug	1	
111	3363087087	Threaded plug	1	
112	3363110401	O-ring	1	
113	3363087085	Back-up ring	1	
114	3361854657	Connecting screw	1	
115	3360478171	O-ring	1	
130	3361854511	Non-return valve	1	
138	3360314373	O-ring	2	
139	3362328039	Allen screw	12	
140(141-149)	3363116889	Swivel joint complete	1	
141(142-143)	3363116887	Adapter complete	1	
142		Adapter	1	
143	3363116062	Snapring	1	
144	3363086569	Adapter	1	
145(146-147)	3361850422	Seal kit	1	
146		O-ring	2	
147		Back-up ring	2	
148	3361356645	Disk	1	
149	3363083749	Cap	1	
150(151-159)	3363116888	Swivel joint complete	1	
151(152-153)	3363116887	Adapter complete	1	
152		Adapter	1	
153	3363116062	Snapring	1	
154	3361356643	Adapter	1	
155(156-157)	3361850422	Seal kit	1	
156		O-ring	2	
157		Back-up ring	2	

Refer to Parts Online for the most up to date information. The printed information might be outdated.

Mon Jul 31 08:17:32 UTC 2017

Item	Part No.	Name	Qty	L
158	3361356645	Disk	1	
159	3361353489	Cap	1	
160	3363094981	HP-accumulator	1	
161	3363113101	Fastening screw	8	D
162	3363114730	Service kit O-rings	2	E
163	3363100049	Washer	8	
164	3360314364	O-ring	2	
165	3360328046	Back-up ring	2	
170	3361844113	Strainer disk	2	
171	3361844115	Threaded plug	2	
172	3363094982	Threaded insert	8	
173	3361031529	Threaded insert	8	
174	3363104787	Flange	1	
175	3360103750	Allen screw	6	
180(181-183)	3363087286	Filling valve complete	1	
181		Filling valve	1	
182	3360478426	Threaded plug	1	
183	3360175125	O-ring	1	
190(191-192)	3363098321	Tensioning bolt complete	8	
191		Tensioning bolt	1	
192	3363093653	Washer	1	

Comments for Page: Percussion unit part 1: cylinder cover

(L)OCAL REMARKS

A | with items 170 - 175

B | AutoControl

C | PowerAdapt

Only in exchange for the part to be replaced. Consult the Atlas Copco Customer Center/Dealer in your area.

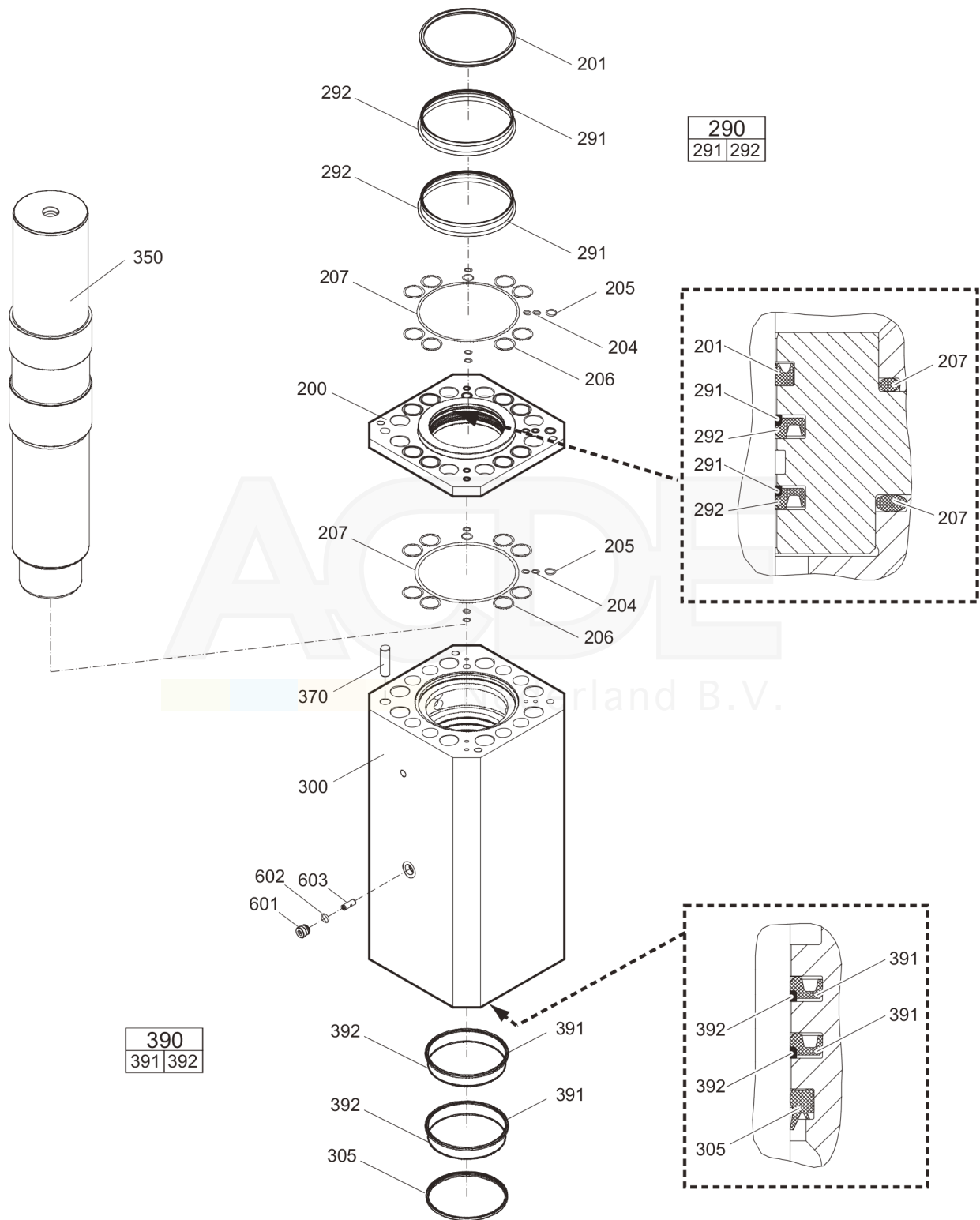
D | each fastening screw with 3 o-rings item 162

E | 12 o-rings for all 4 fastening screws item 161

This page intentionally left blank



Mechanical Percussion unit part 2: cylinder



Item	Part No.	Name	Qty	L
200	3363100013	Seal flange	1	
201	3363103420	Seal	1	
204	3360478097	O-ring	10	
205	3360314368	O-ring	4	
206	3363070632	O-ring	16	
207	3363094978	O-ring	2	
290(291-292)	3363098324	Seal kit	2	
291		Back-up ring	1	
292		Seal	1	
300	3363119346	Cylinder	1	A
305	3363094974	Wiper	1	
350	3363098300	Percussion piston	1	
370	3360106819	Lock pin	1	
390(391-392)	3363098325	Seal kit	2	
391		Seal	1	
392		Back-up ring	1	
601	3363082593	Plug	1	
602	3363083245	O-ring	1	
603	3363082505	Valve	1	B

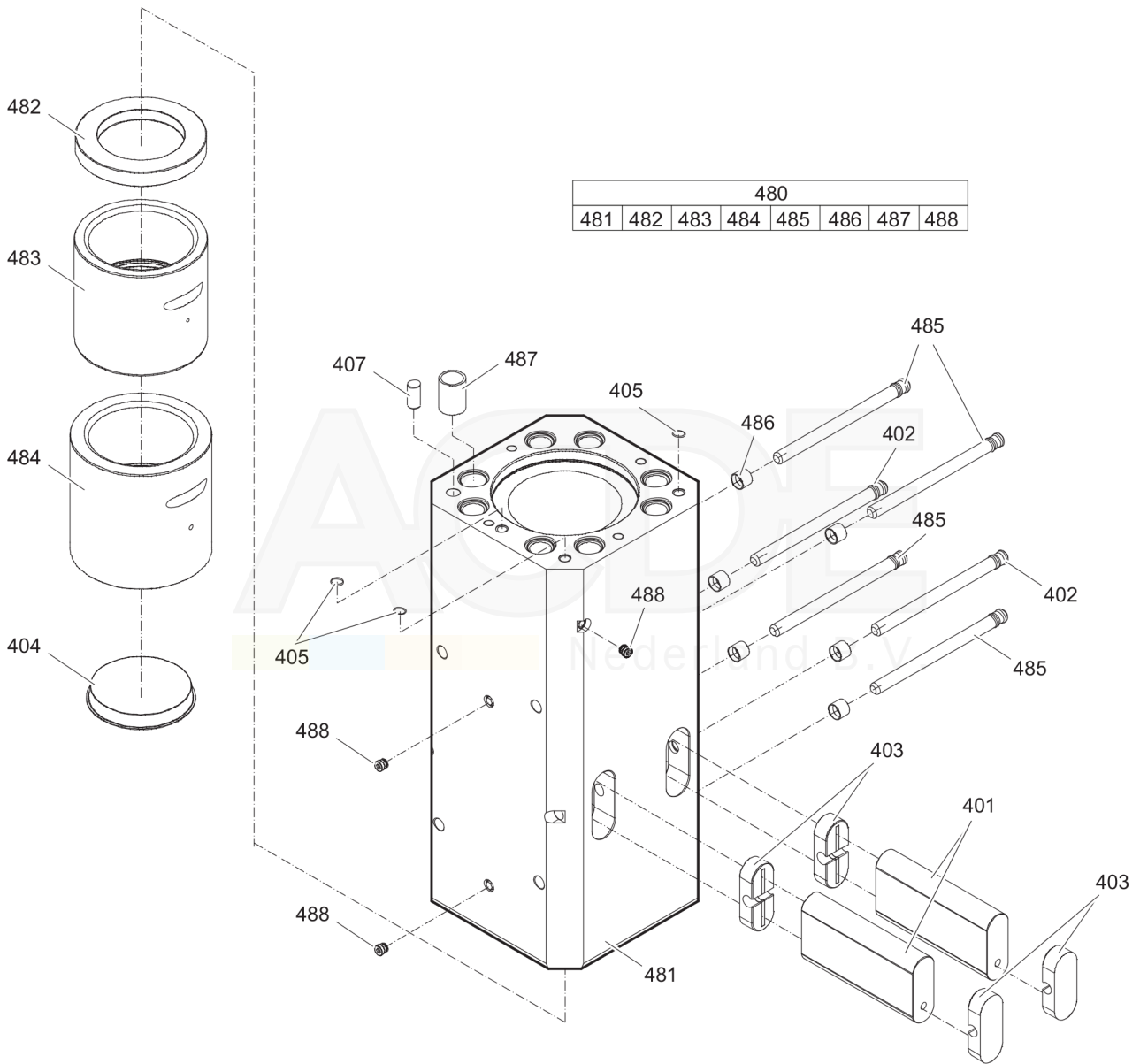
Comments for Page: Percussion unit part 2: cylinder

(L)OCAL REMARKS

A | with items 601 - 603

B | StartSelect

Mechanical Percussion unit part 3: lower breaker part (steel)



Refer to Parts Online for the most up to date information. The printed information might be outdated.

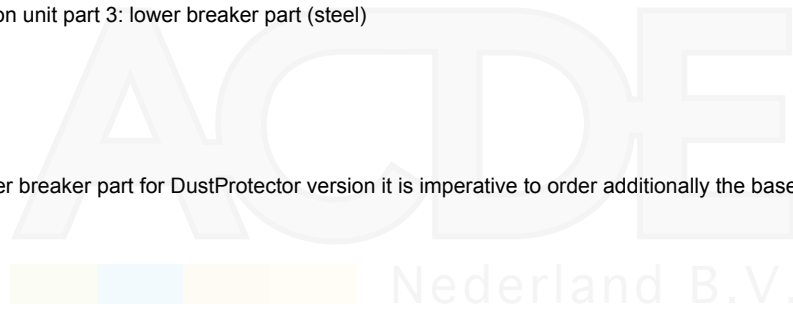
Mon Jul 31 08:17:33 UTC 2017

Item	Part No.	Name	Qty	L
401	3363100027	Retainer bar	2	
402	3362260431	Bolt	2	
403	3363100029	Plug	4	
404	3363094977	Protective cap	1	
405	3360314453	O-ring	3	
407	3360106818	Lock pin	1	
480(481-489)	3363098316	Lower breaker part complete with lower wear bush steel	1	A
481		Lower breaker part	1	
482	3363100035	Impact ring	1	
483	3363100037	Wear bush	1	
484	3363100041	Wear bush (steel)	1	
485	3362260431	Bolt	4	
486	3362260433	Locking bush	6	
487	3363085321	Threaded insert	8	
488	3363086301	Plug	4	

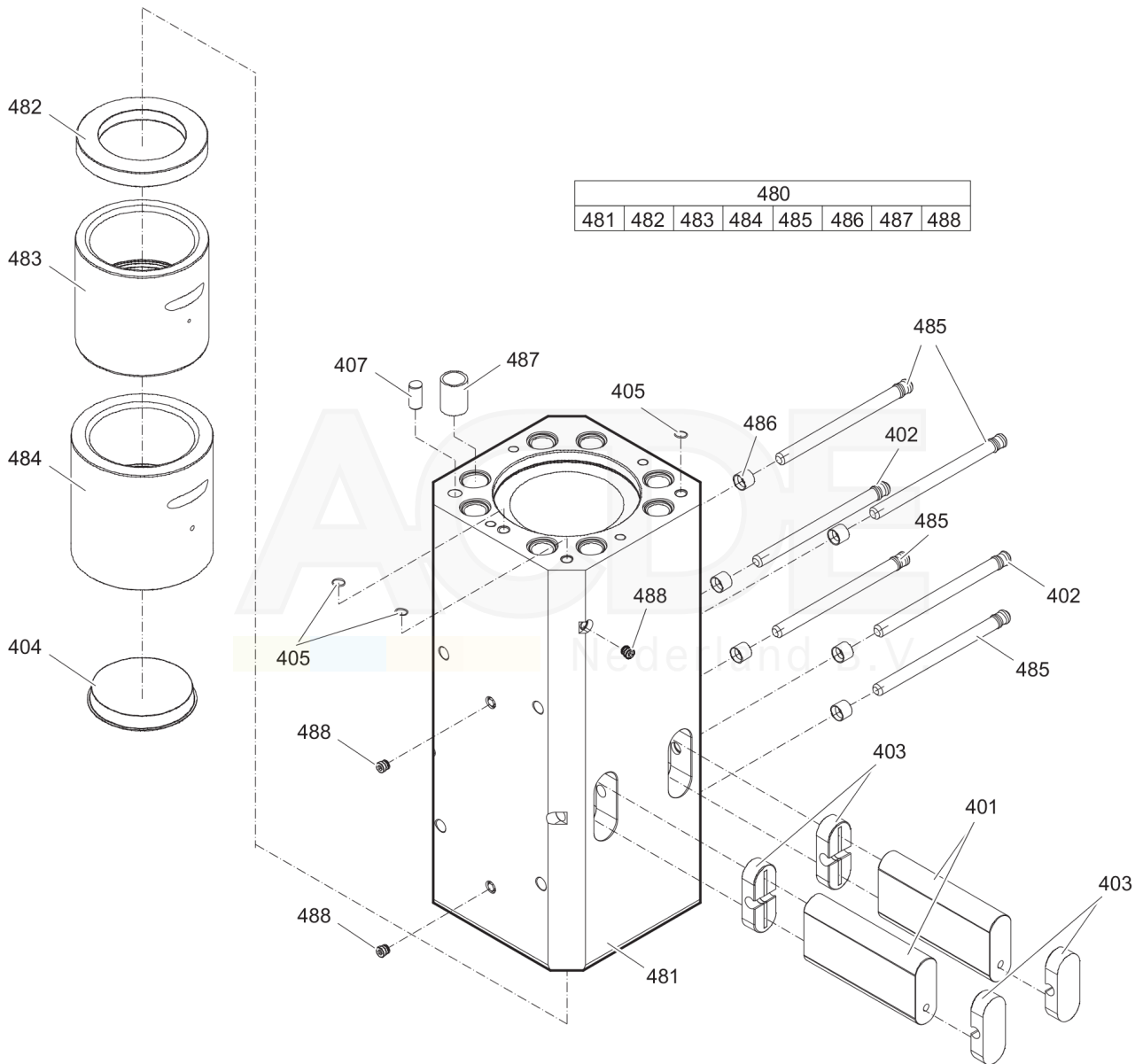
Comments for Page: Percussion unit part 3: lower breaker part (steel)

(L)OCAL REMARKS

A | Note: When ordering a lower breaker part for DustProtector version it is imperative to order additionally the base for wiper (item 18) and the wiper (item 19).



Mechanical Percussion unit part 3: lower breaker part (bronze)



Refer to Parts Online for the most up to date information. The printed information might be outdated.

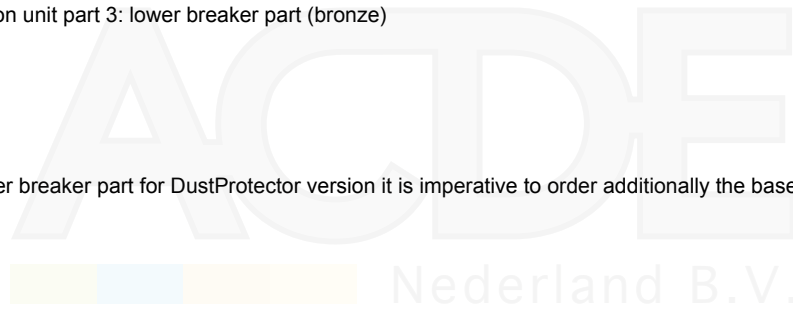
Mon Jul 31 08:17:34 UTC 2017

Item	Part No.	Name	Qty	L
401	3363100027	Retainer bar	2	
402	3362260431	Bolt	2	
403	3363100029	Plug	4	
404	3363094977	Protective cap	1	
405	3360314453	O-ring	3	
407	3360106818	Lock pin	1	
480(481-489)	3363116921	Lower breaker part complete with lower wear bush bronze	1	A
481		Lower breaker part	1	
482	3363100035	Impact ring	1	
483	3363100037	Wear bush	1	
484	3363100039	Wear bush (bronze)	1	
485	3362260431	Bolt	4	
486	3362260433	Locking bush	6	
487	3363085321	Threaded insert	8	
488	3363086301	Plug	4	

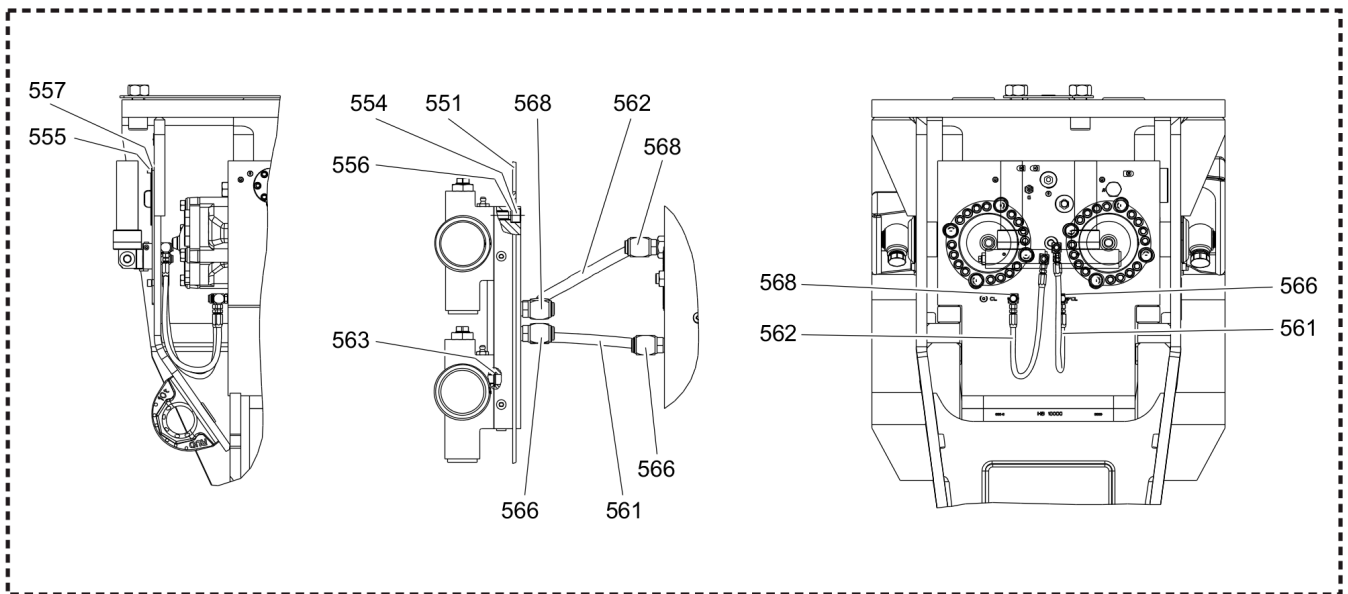
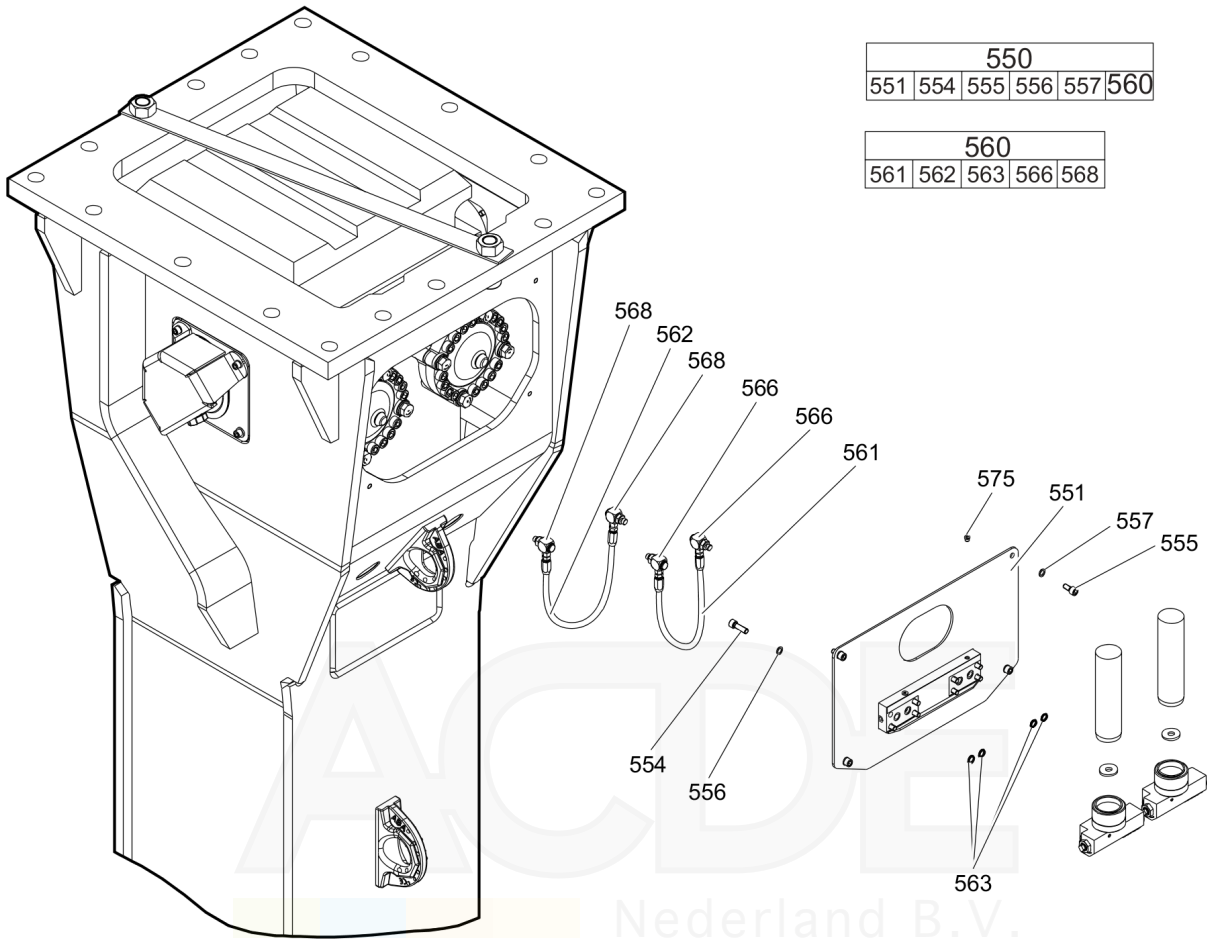
Comments for Page: Percussion unit part 3: lower breaker part (bronze)

(L)OCAL REMARKS

A | Note: When ordering a lower breaker part for DustProtector version it is imperative to order additionally the base for wiper (item 18) and the wiper (item 19).



Mechanical Connecting kit for automatic lubrication system



Refer to Parts Online for the most up to date information. The printed information might be outdated.

Mon Jul 31 08:17:35 UTC 2017

Item	Part No.	Name	Qty	L
550(551-560)		Connecting kit for automatic lubrication system	1	
551	3363119008	Support	1	A
554	3360026512	Allen screw	8	B
555	3362328113	Allen screw	4	
556	3361850596	Pair of lock washers	8	
557	3361333703	Pair of lock washers	4	
560(561-569)	3363119351	Connecting kit for automatic lubrication system	1	C
561	3363083878	Hydraulic hose	1	D
562	3363083874	Hydraulic hose	1	E
563	3362267584	Seal	4	
566	3363087185	Fitting	2	B
568	3363087186	Fitting	2	B
575	3360107879	Plug	3	

Comments for Page: Connecting kit for automatic lubrication system

(L)OCAL REMARKS

A | with item 575

B | secure with Loctite 243

C | without fastening elements

D | Oil line

secure with Loctite

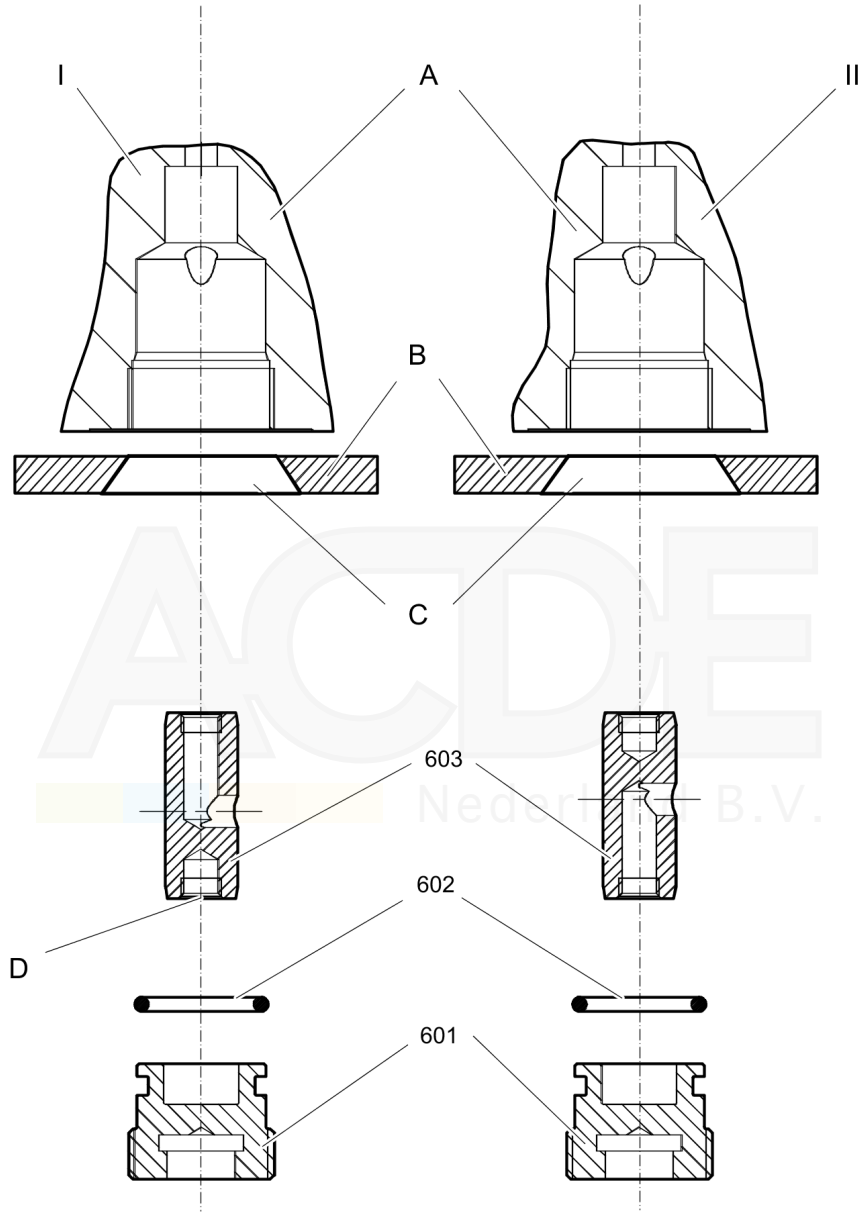
Route the hydraulic hoses as shown on the drawing. It must be ensured that the hydraulic hoses can move freely and are not in contact at any point.

E | Grease line

secure with Loctite

Route the hydraulic hoses as shown on the drawing. It must be ensured that the hydraulic hoses can move freely and are not in contact at any point.

Mechanical StartSelect - AutoStart or AutoStop



Item	Part No.	Name	Qty	L
601	3363082593	Plug	1	
602	3363083245	O-ring	1	
603	3363082505	Valve	1	A

Comments for Page: StartSelect - AutoStart or AutoStop

I = AutoStop setting

II = AutoStart setting (standard setting on delivery)

- A. Port bore in cylinder
- B. Wall of breaker box
- C. Plug of breaker box
- D. M 10 thread (both ends) for mounting

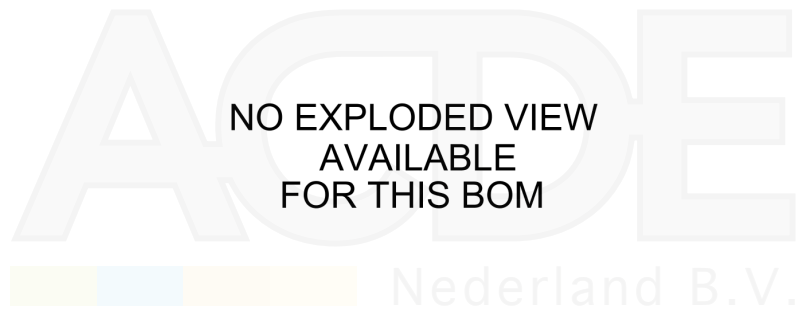
The position of the StartSelect unit is shown on the percussion unit illustrations.

(L)OCAL REMARKS

A | StartSelect



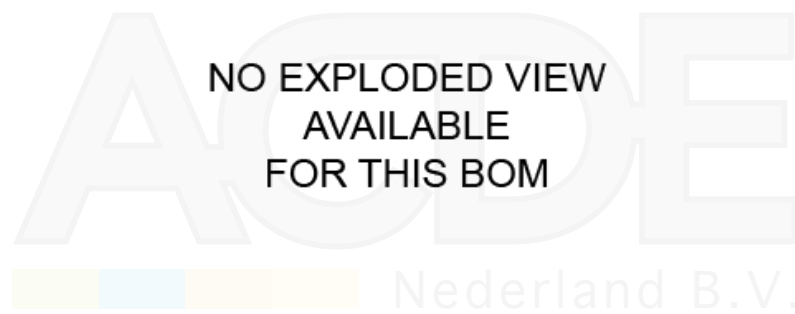
Mechanical Optional parts



Item	Part No.	Name	Qty	L
11	3363100715	Floating ring	1	
484	3363100041	Wear bush (steel)	1	
484	3363100039	Wear bush (bronze)	1	



Mechanical Tightening torque



Item	Part No.	Name	Qty	L
34	-	Allen screw - 400 Nm	-	B
36	-	Allen screw - 85 Nm	-	A
44	-	Allen screw - 85 Nm	-	A
104	-	Allen screw - 380 Nm	-	B
107	-	Threaded plug - 300 Nm	-	C
110	-	Threaded plug - 300 Nm	-	D
130	-	Non-return valve - 200 Nm	-	E
139	-	Allen screw - 80 Nm	-	A
161	-	Fastening screw -	-	F
175	-	Allen screw - 80 Nm	-	A
181	-	Filling valve - 130 Nm	-	G
182	-	Threaded plug - 20 Nm	-	H
191	-	Tensioning bolt -	-	I
554	-	Allen screw - 85 Nm	-	A
555	-	Allen screw - 200 Nm	-	J
561	-	Hydraulic hose - 42 Nm	-	K
562	-	Hydraulic hose - 16 Nm	-	L
566	-	Fitting - 60 Nm	-	M
568	-	Fitting - 50 Nm	-	N
601	-	Plug - 200 Nm	-	B, O

Comments for Page: Tightening torque

Nederland B.V.

(L)OCAL REMARKS

A | Allen key size 10

B | Allen key size 17

C | Allen key size 22

D | Socket spanner size 24

E | Socket spanner size 41

F | Socket spanner size 30

1. Treat the threads and threaded inserts for the fastening screws with an Anti-Seize agent.
2. Treat the surfaces between the screw head, washer, and HP-accumulator cover with Anti-Seize.
3. Place on the HP-accumulator, and tighten the fastening screws by hand in a crosswise fashion.
4. Pretighten the fastening screws to 120 Nm, proceeding in a crosswise fashion,
5. then tighten each screw through 30° in a crosswise fashion,
6. finally tighten each screw again through 60° in a crosswise fashion.

G | Socket spanner size 22

H | Allen key size 5

I | Torque wrench or Power wrench size 75

1. Pretighten the tensioning bolts to 500 Nm, proceeding in a crosswise fashion,
2. then tighten each tensioning bolt through 120° (2 sides of hexagonal head) in a crosswise fashion,
3. then tighten each tensioning bolt through 120° (2 sides of hexagonal head) in a crosswise fashion,
4. finally tighten each tensioning bolt again through 150° (2 1/2 sides of hexagonal head) in a crosswise fashion.

J | Allen key size 14

K | Open-ended wrench size 19

L | Open-ended wrench size 17

M | Open-ended wrench size 19, 22, 27

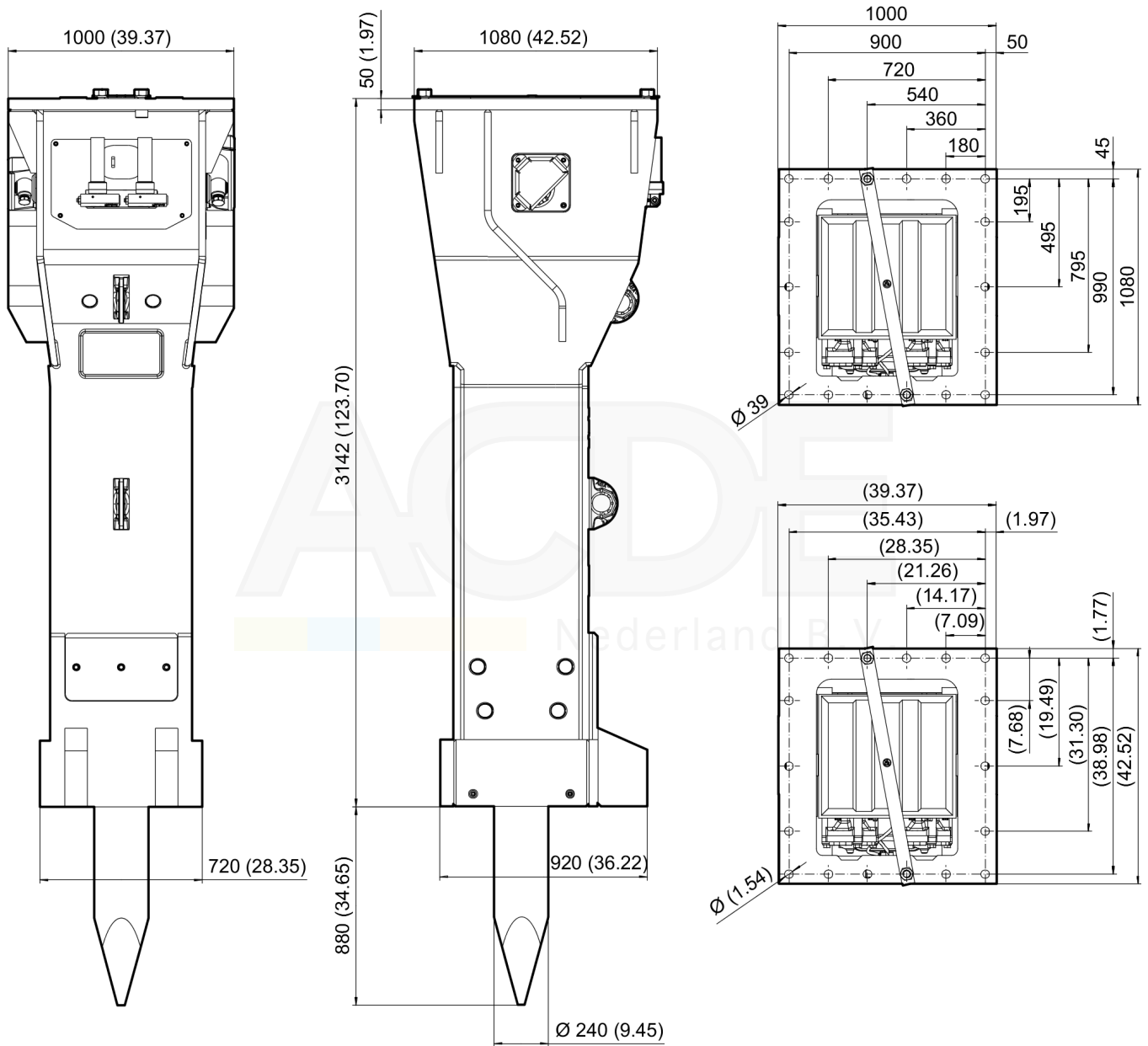
N | Open-ended wrench size 17, 22, 27



This page intentionally left blank



Mechanical Dimensions HB 10000 DustProtector



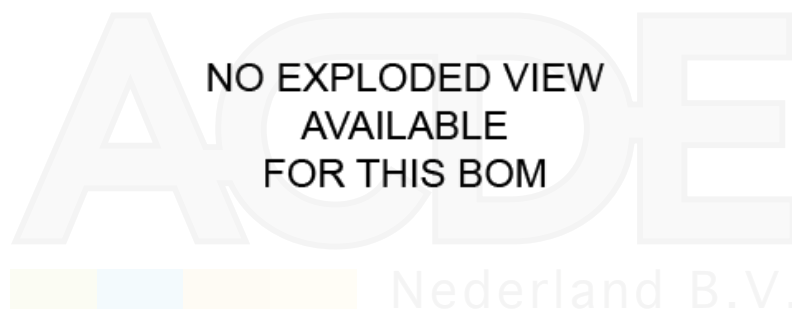
Refer to Parts Online for the most up to date information. The printed information might be outdated.

Mon Jul 31 08:17:36 UTC 2017

This page intentionally left blank



Options / accessories Hydraulic hoses



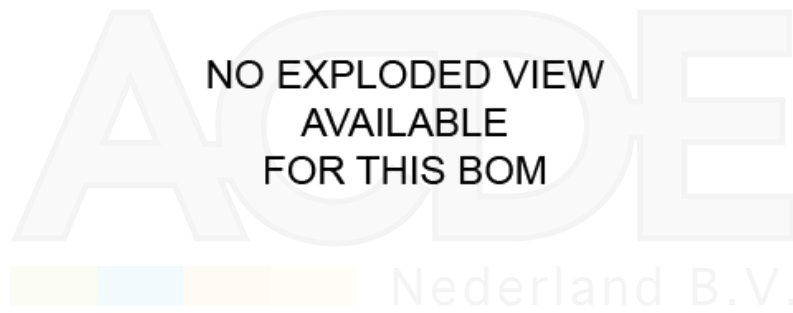
Item	Part No.	Name	Qty	L
-	3361853860	Hydraulic hose, I.D. 32 (1 1/4"), both ends JIC 1 5/8", length 2800 mm (110 in.)	1	
-	3363083563	Hydraulic hose, I.D. 40 (1 1/2"), both ends JIC 1 7/8", length 2800 mm (110 in.)	1	A
-	3361853861	Hydraulic hose, I.D. 32 (1 1/4"), both ends JIC 1 5/8", length 3500 mm (138 in.)	1	
-	3363083562	Hydraulic hose, I.D. 40 (1 1/2"), both ends JIC 1 7/8", length 3500 mm (138 in.)	1	A

Comments for Page: Hydraulic hoses

A | Return line



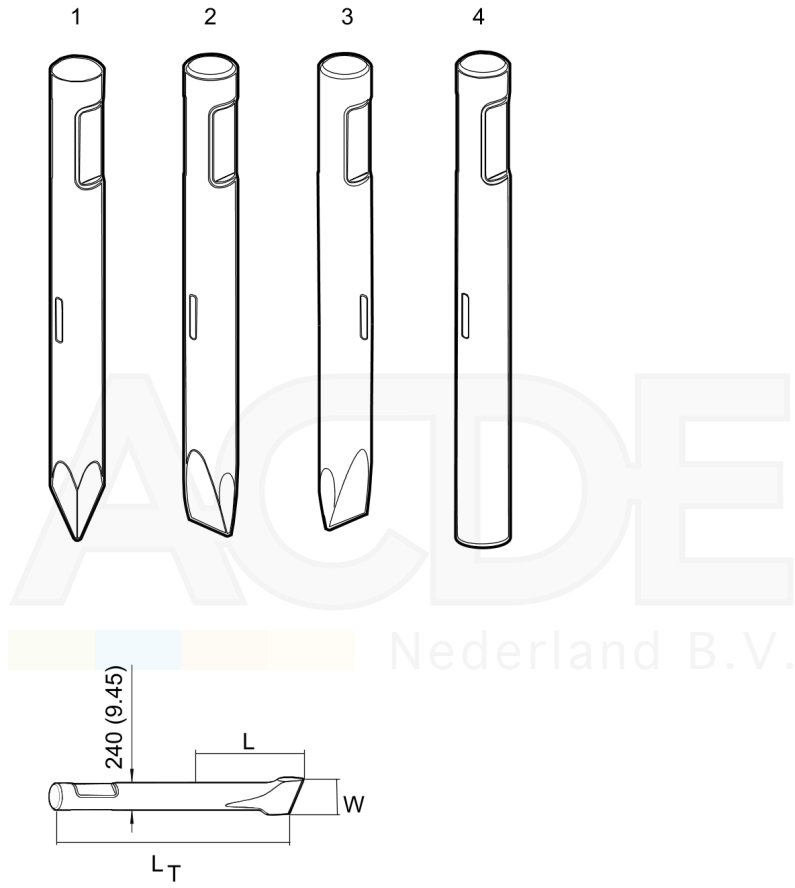
Options / accessories Optional equipment



Item	Part No.	Name	Qty	L
-	3363091200	Chisel paste cartridge, 12 x 500 g (1.1 lbs)	1	
-	3363034567	Grease gun for 500 g cartridge	1	
-	3360433774	Grease nipple	1	
-	3363089845	Maintenance and charging box with nitrogen cylinder, 5 l, 1.1 gal (1.32 US gal)	1	
-	3363094940	Maintenance and charging box without nitrogen cylinder	1	
-	3363100467	Test gauge lower wear bush	1	
-	3363094952	Inside callipers upper wear bush	1	
Not Shown	-	Adapter plate matching the carrier Consult the Atlas Copco Customer Center/Dealer in your area.	1	
-	3363104609	Base plate with threaded inserts	1	
-	3363103061	Bolt kit	1	
-	3363102877	Base plate with through borings	1	
-	3363094578	Bolt kit	1	
-	3360103802	Allen screw	1	
-	3363103077	Adapter kit for underwater applications	1	
-	3363094400	Vertebral block M48 X 68	2	
-	3363100051	Piston retainer	1	



Options / accessories SilverLine HB 10000



Item	Part No.	Name	Qty	L
1	3363098107	Moil point	1	A
2	3363098105	Chisel (cross)	1	B
3	3363098106	Chisel (parallel)	1	C
4	3363099051	Blunt tool	1	D

Comments for Page: SilverLine HB 10000

(L)OCAL REMARKS

A |L=880 mm, LT=1900 mm, Wt=580.0 kg

L=34.65 inch, LT=74.80 inch, Wt=1278.7 lb

B |W=240 mm, L=880 mm, LT=1900 mm, Wt=606.0 kg

W=9.45 inch, L=34.65 inch, LT=74.80 inch, Wt=1336.0 lb

C |W=240 mm, L=880 mm, LT=1900 mm, Wt=606.0 kg

W=9.45 inch, L=34.65 inch, LT=74.80 inch, Wt=1336.0 lb

D |L=880 mm, LT=1900 mm, Wt=651.0 kg

L=34.65 inch, LT=74.80 inch, Wt=1435.2 lb





Any unauthorized use or copying of the contents or any part thereof is prohibited.
This applies in particular to trademarks, model denominations, part numbers, and drawings.